



WINDOW ACCESSORIES

**SNAP TRIM & CLIP
WINDOW PANNINGS
SILL COVERS
SILL EXPANDERS
SCREEN FRAMES
APPLIED MUNTIN GRIDS
CORNER KEYS**

**2-PC RECEPTORS
SUB-SILLS
ANCHOR CLIPS
1-PC MULLIONS
2-PC MULLIONS
3-PC MULLIONS**

- These are “OPEN DIES” for production runs only, we do NOT stock finished extrusions (NO SAMPLES AVAILABLE).
- Orders of any size will be accepted, but may be subject to a Press Setup fee if below 500 LB.
- 6063 alloy is typically extruded, but 6005 (6061 alternative) can be available upon request.
- Custom lengths, Powder Coat finishes and Anodizing are also available.
- Standard Aluminum Association tolerances apply.

TYPICAL LEAD-TIMES BELOW:

Mill Finish => 3 weeks or less

Standard Paint => 3-4 weeks

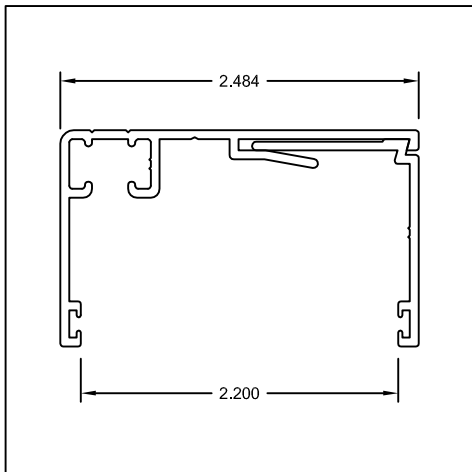
Anodize/Custom Paint => 4-6 weeks



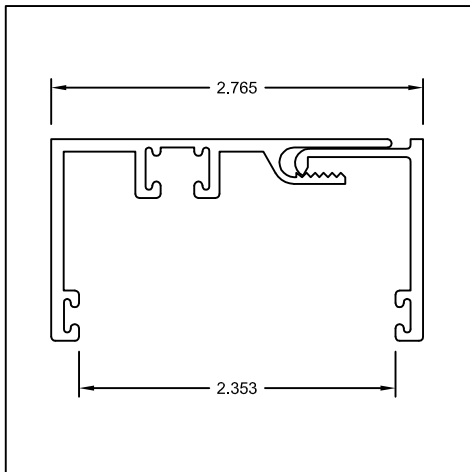
704 West Park Road
Union, MO 63084

TEL: (636) 583-7755
FAX: (636) 583-1937
WEB: www.gwextrusions.com

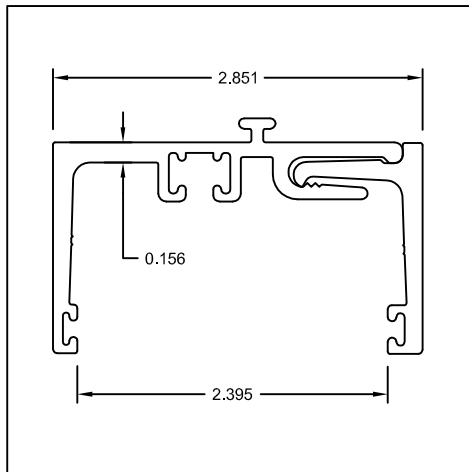
2-PC RECEPTORS



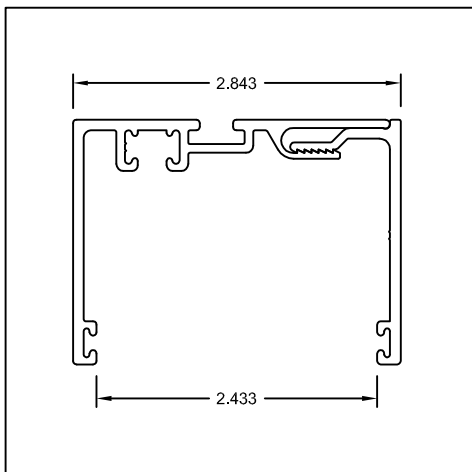
Part #: CES072 / CES074
Name: 2" (Frame) Receptor



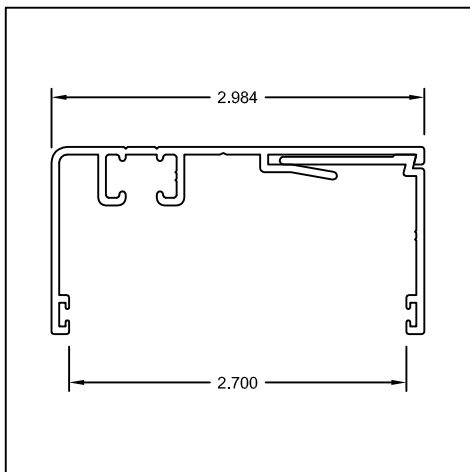
Part #: US072 / US073
Name: 2-1/4" (Frame) Receptor



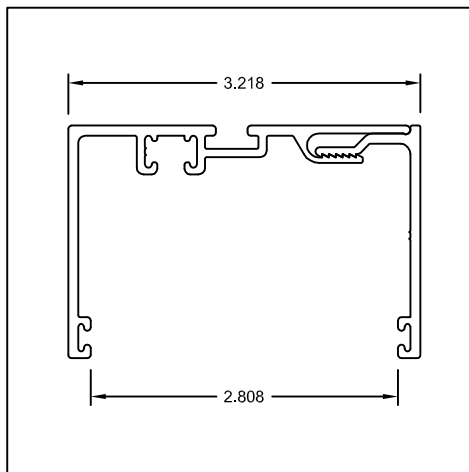
Part #: U8039 / U8040
Name: 2-1/4" (Frame) Receptor



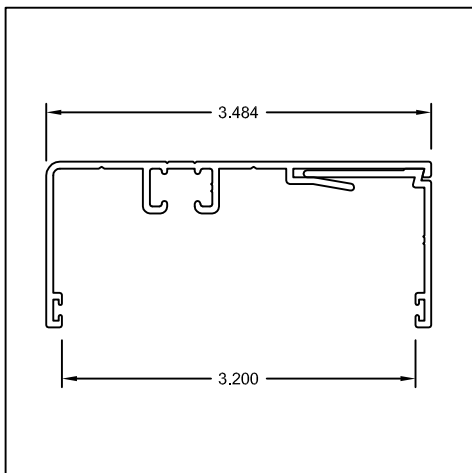
Part #: US168 / US211
Name: 2-1/4" (Frame) Receptor



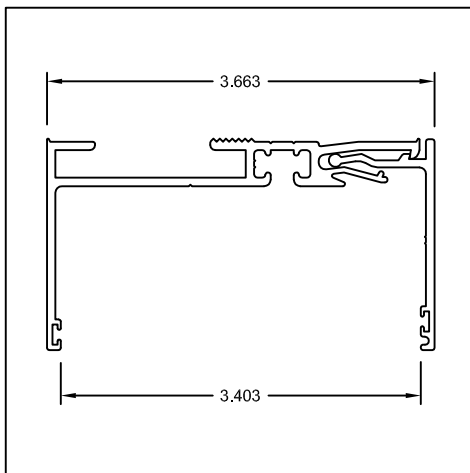
Part #: CES072 / CES073
Name: 2-1/2" (Frame) Receptor



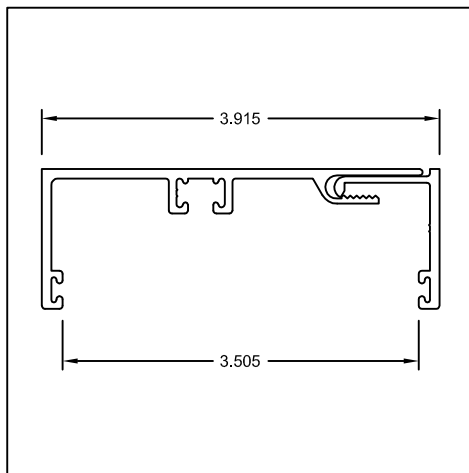
Part #: US168 / US202
Name: 2-5/8" (Frame) Receptor



Part #: CES072 / CES077
Name: 3" (Frame) Receptor



Part #: CES075 / CES076
Name: 3-3/16" (Frame) Receptor



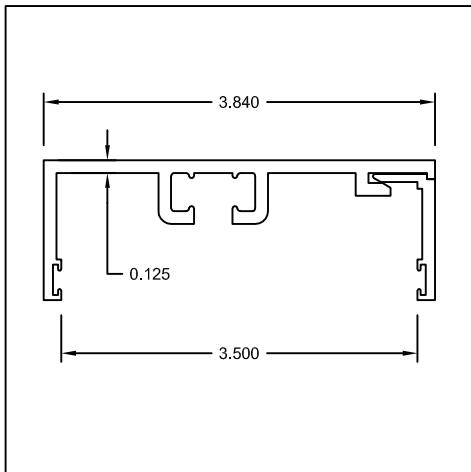
Part #: US080 / US081
Name: 3-1/4" (Frame) Receptor



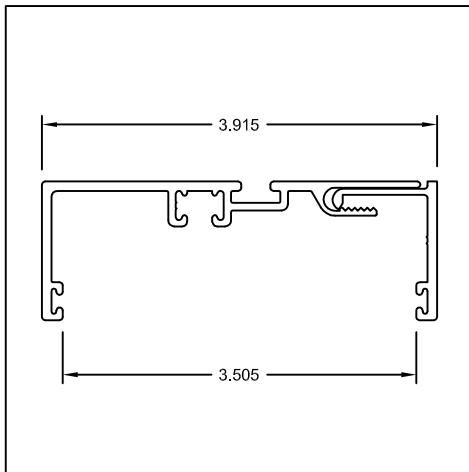
704 West Park Road
Union, MO 63084

TEL: (636) 583-7755
FAX: (636) 583-1937
WEB: www.gwextrusions.com

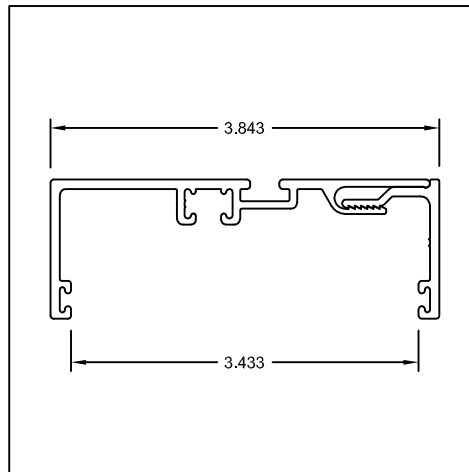
2-PC RECEPTORS



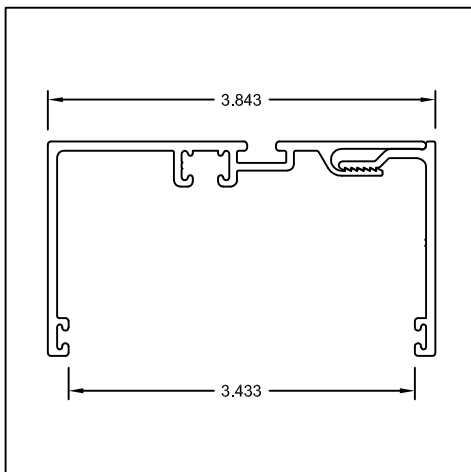
Part #: US039 / US040
Name: 3-1/4" (Frame) Receptor



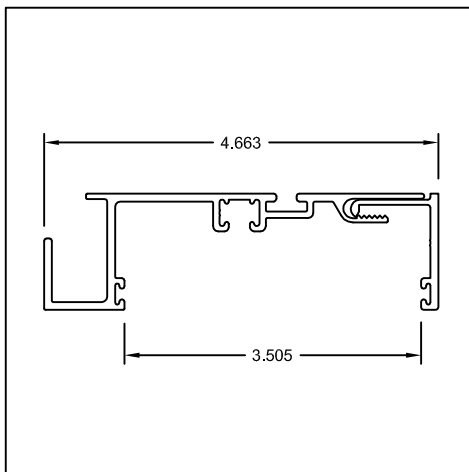
Part #: US081 / US162
Name: 3-1/4" (Frame) Receptor



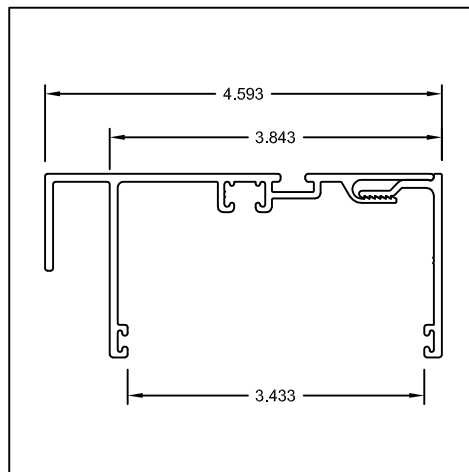
Part #: US272 / US273
Name: 3-1/4" (Frame) Receptor



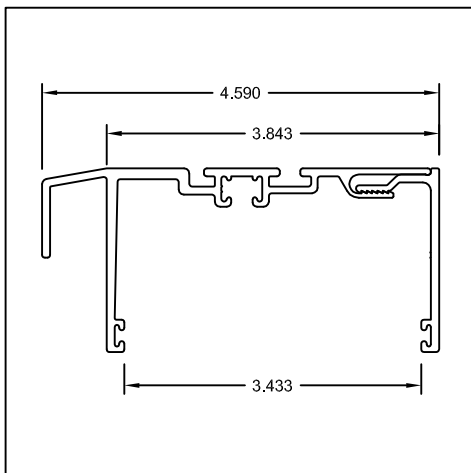
Part #: US166 / US168
Name: 3-1/4" (Frame) Receptor



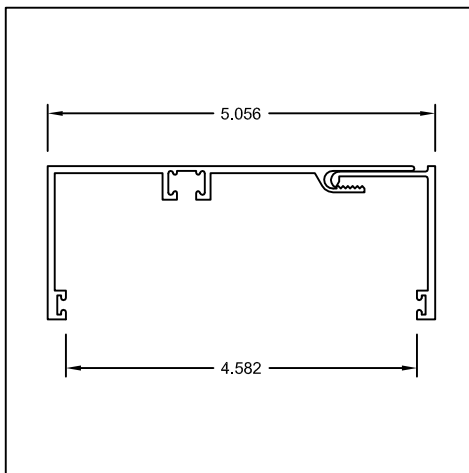
Part #: US081 / US141
Name: 3-1/4" (Frame) Receptor



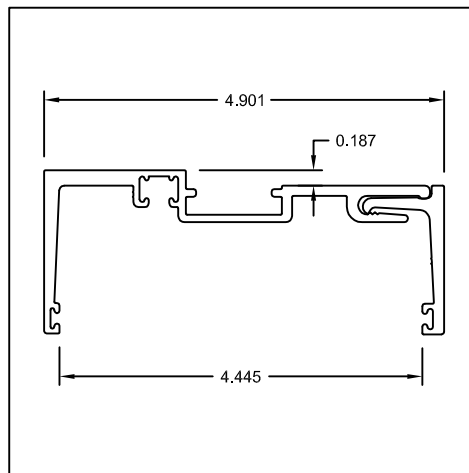
Part #: US167 / US168
Name: 3-1/4" (Frame) Receptor



Part #: US168 / US253
Name: 3-1/4" (Frame) Receptor



Part #: US041 / US042
Name: 4-1/4" (Frame) Receptor



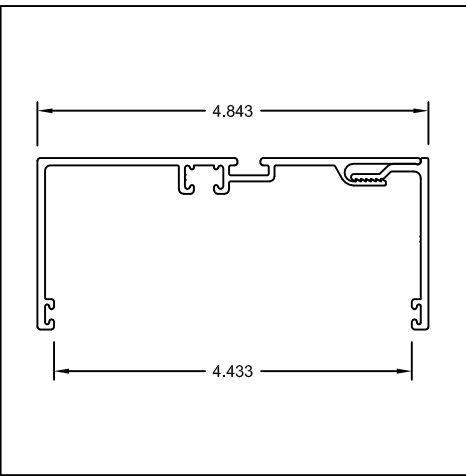
Part #: US149 / US150
Name: 4-1/4" (Frame) Receptor



**704 West Park Road
Union, MO 63084**

TEL: (636) 583-7755
FAX: (636) 583-1937
WEB: www.gwextrusions.com

2-PC RECEPTORS



Part #: US168 / US216
Name: 4-1/4" (Frame) Receptor