



WINDOW ACCESSORIES

**SNAP TRIM & CLIP
WINDOW PANNINGS
SILL COVERS
SILL EXPANDERS
SCREEN FRAMES
APPLIED MUNTIN GRIDS
CORNER KEYS**

**2-PC RECEPTORS
SUB-SILLS
ANCHOR CLIPS
1-PC MULLIONS
2-PC MULLIONS
3-PC MULLIONS**

- These are “OPEN DIES” for production runs only, we do NOT stock finished extrusions (NO SAMPLES AVAILABLE).
- Orders of any size will be accepted, but may be subject to a Press Setup fee if below 500 LB.
- 6063 alloy is typically extruded, but 6005 (6061 alternative) can be available upon request.
- Custom lengths, Powder Coat finishes and Anodizing are also available.
- Standard Aluminum Association tolerances apply.

TYPICAL LEAD-TIMES BELOW:

Mill Finish => 3 weeks or less

Standard Paint => 3-4 weeks

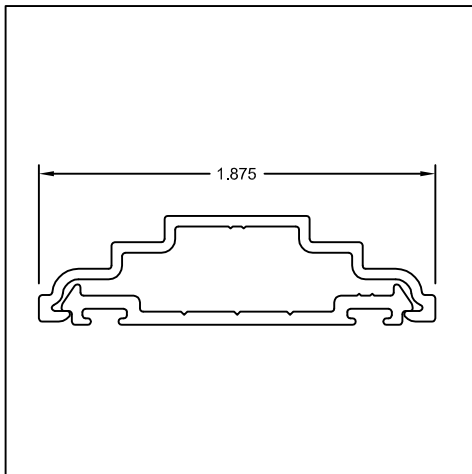
Anodize/Custom Paint => 4-6 weeks



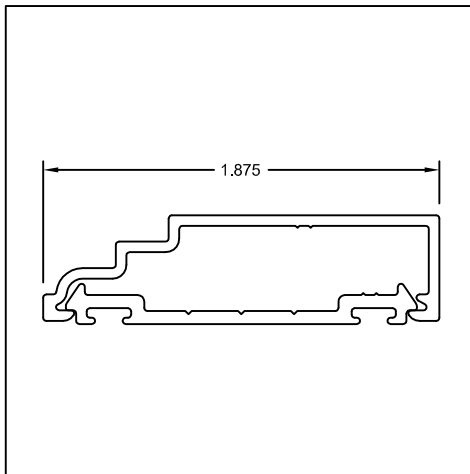
**704 West Park Road
Union, MO 63084**

TEL: (636) 583-7755
FAX: (636) 583-1937
WEB: www.gwextrusions.com

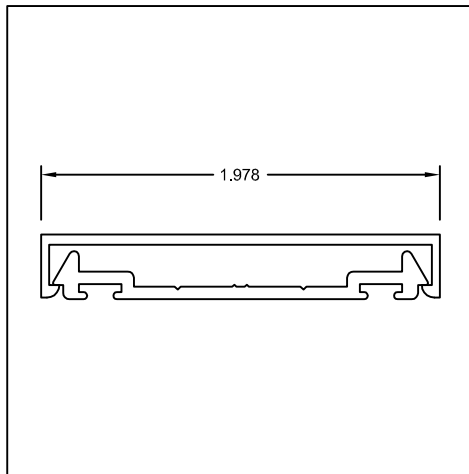
2-PC MULLIONS



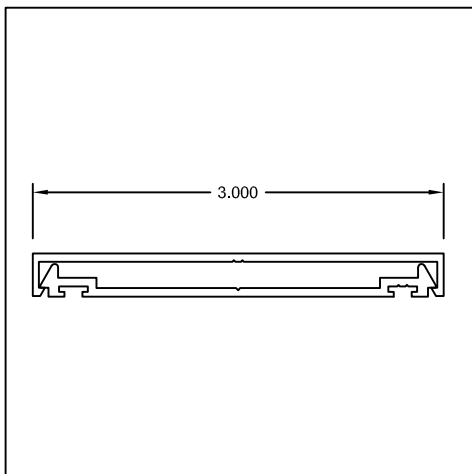
Part #: US244 / US246
Name: 1-7/8" 2-pc Mullion



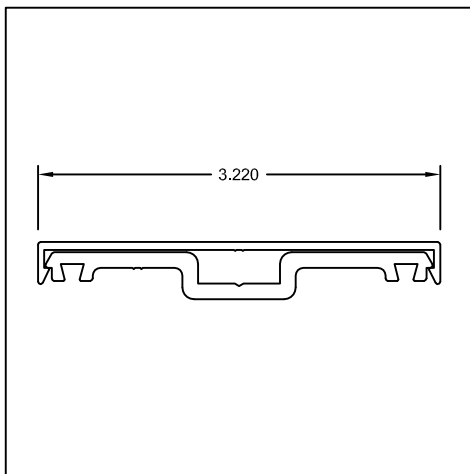
Part #: US245 / US246
Name: 1-7/8" 2-pc Mullion



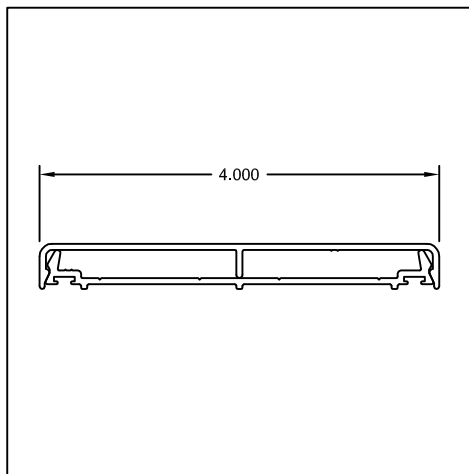
Part #: US044 / US109
Name: 2" 2-pc Mullion



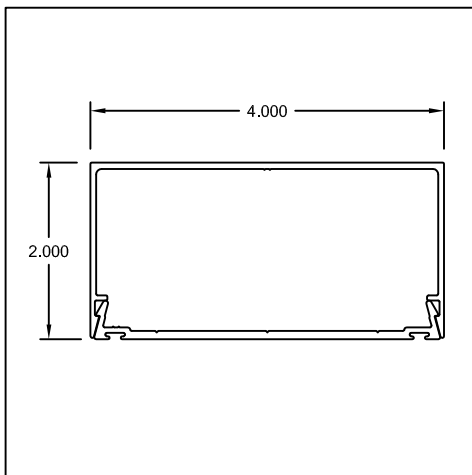
Part #: US060 / US061
Name: 3" 2-pc Mullion



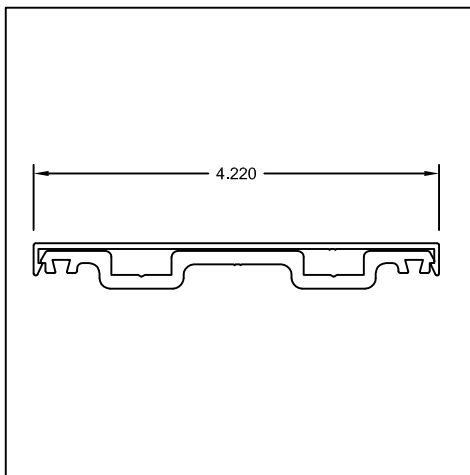
Part #: CES043 / CES044
Name: 3-1/4" 2-pc Mullion



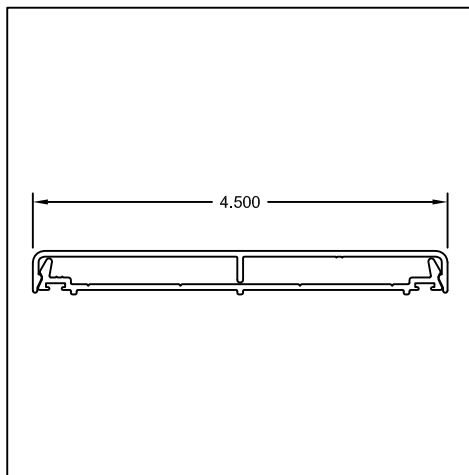
Part #: US160 / US161
Name: 4" 2-pc Mullion



Part #: US164 / US165
Name: 2" x 4" 2-pc Mullion



Part #: CES045 / CES046
Name: 4-1/4" 2-pc Mullion



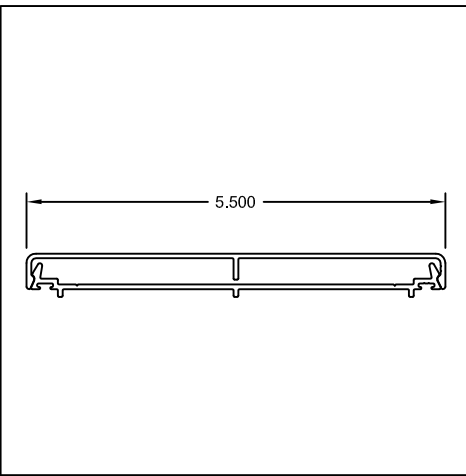
Part #: US086 / US087
Name: 4-1/2" 2-pc Mullion



**704 West Park Road
Union, MO 63084**

TEL: (636) 583-7755
FAX: (636) 583-1937
WEB: www.gwextrusions.com

2-PC MULLIONS



Part #: US070 / US071
Name: 5-1/2" 2-pc Mullion