



WINDOW ACCESSORIES

**SNAP TRIM & CLIP
WINDOW PANNINGS
SILL COVERS
SILL EXPANDERS
SCREEN FRAMES
APPLIED MUNTIN GRIDS
CORNER KEYS**

**2-PC RECEPTORS
SUB-SILLS
ANCHOR CLIPS
1-PC MULLIONS
2-PC MULLIONS
3-PC MULLIONS**

- These are “OPEN DIES” for production runs only, we do NOT stock finished extrusions (NO SAMPLES AVAILABLE).
- Orders of any size will be accepted, but may be subject to a Press Setup fee if below 500 LB.
- 6063 alloy is typically extruded, but 6005 (6061 alternative) can be available upon request.
- Custom lengths, Powder Coat finishes and Anodizing are also available.
- Standard Aluminum Association tolerances apply.

TYPICAL LEAD-TIMES BELOW:

Mill Finish => 3 weeks or less

Standard Paint => 3-4 weeks

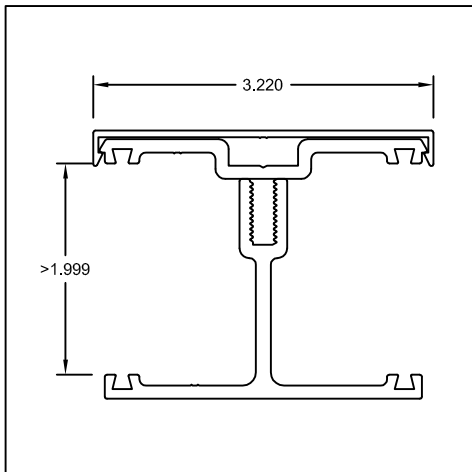
Anodize/Custom Paint => 4-6 weeks



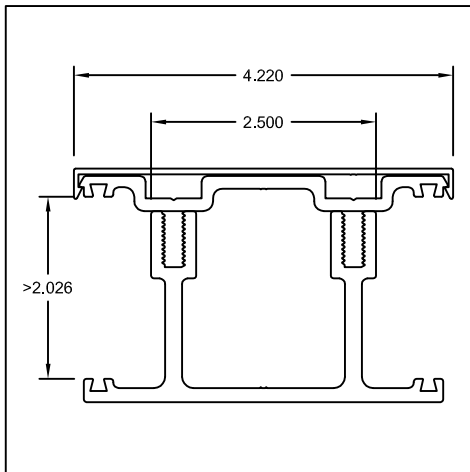
704 West Park Road
Union, MO 63084

TEL: (636) 583-7755
FAX: (636) 583-1937
WEB: www.gwextrusions.com

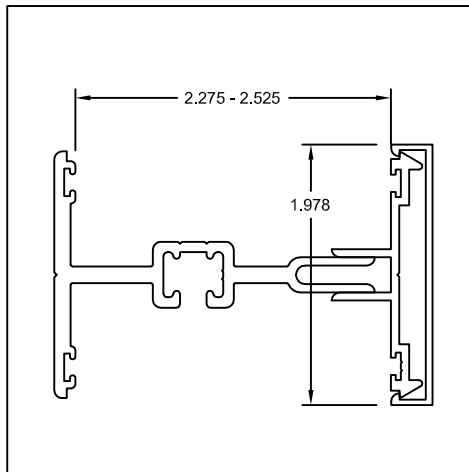
3-PC MULLIONS



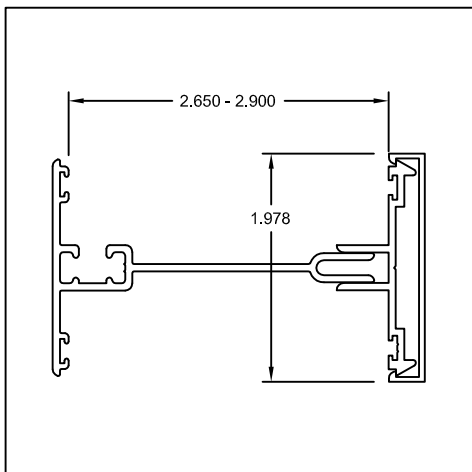
Part #: CES043 / CES044 / CES050
Name: 2" (Frame) 3-pc Mullion



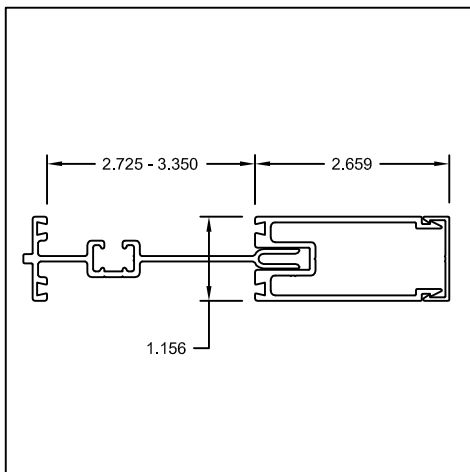
Part #: CES045 / CES046 / CES051
Name: 2" (Frame) 3-pc Mullion



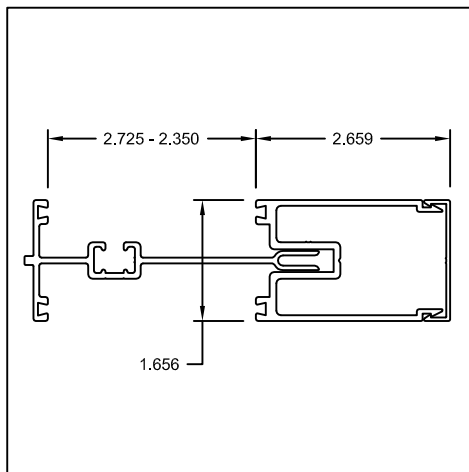
Part #: US044 / US045 / US101
Name: 2-1/8" to 2-3/8" 3-pc Mullion



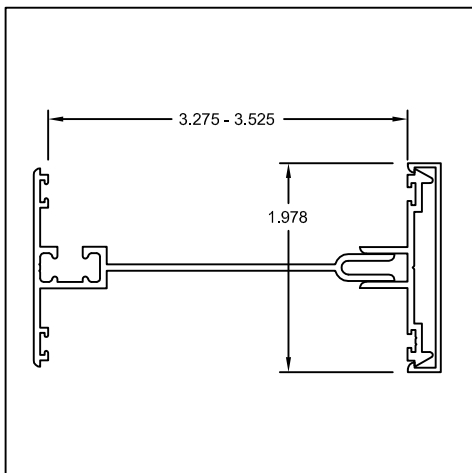
Part #: US044 / US045 / US226
Name: 2-1/2" to 2-3/4" 3-pc Mullion



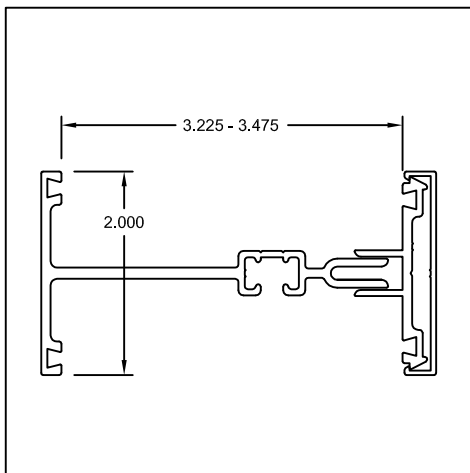
Part #: CES047 / CES048 / CES049
Name: 2-5/8" to 3-1/4" 3-pc Mullion



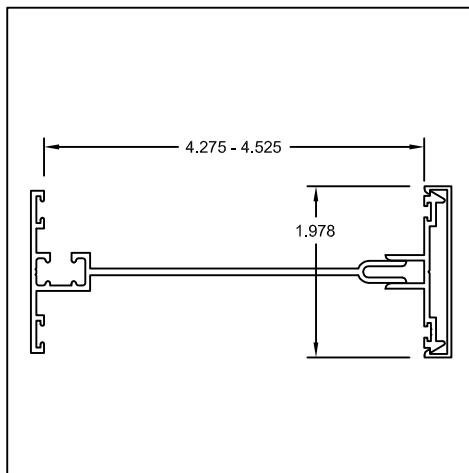
Part #: CES052 / CES053 / CES054
Name: 2-5/8" to 3-1/4" 3-pc Mullion



Part #: US043 / US044 / US045
Name: 3-1/8" to 3-3/8" 3-pc Mullion



Part #: CES055 / CES056 / CES057
Name: 3-1/8" to 3-3/8" 3-pc Mullion



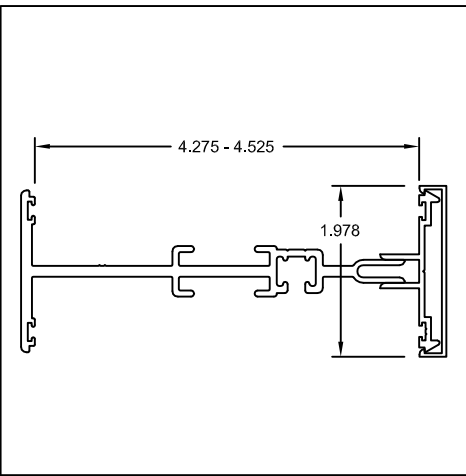
Part #: US044 / US045 / US053
Name: 4-1/8" to 4-3/8" 3-pc Mullion



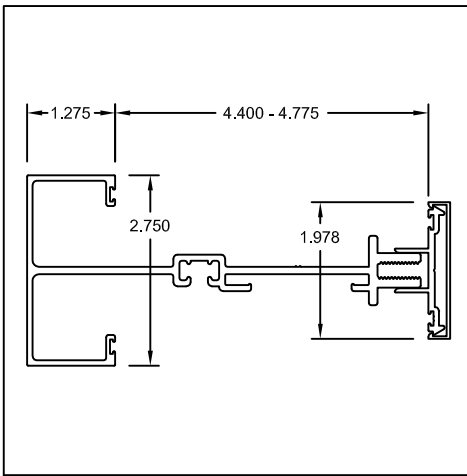
704 West Park Road
Union, MO 63084

TEL: (636) 583-7755
FAX: (636) 583-1937
WEB: www.gwextrusions.com

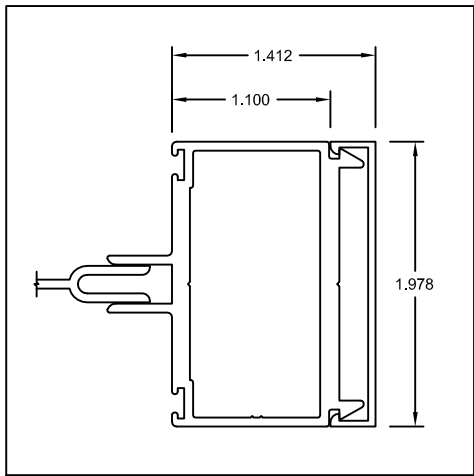
3-PC MULLIONS



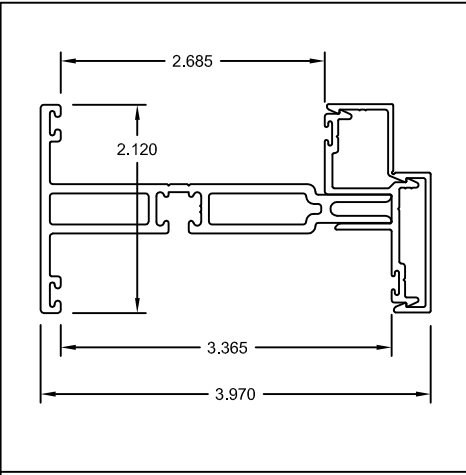
Part #: US044 / US045 / US147
Name: 4-1/8" to 4-3/8" 3-pc Mullion



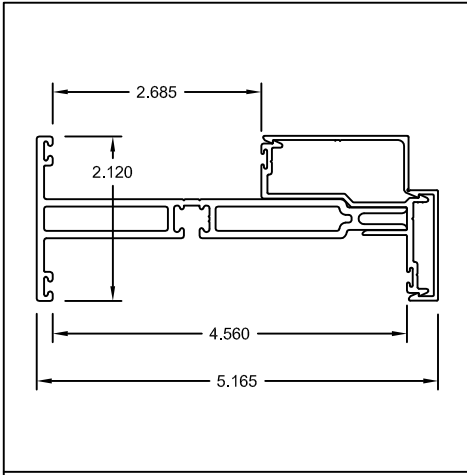
Part #: US044 / CES058 / CES059
Name: 4-1/4" to 4-5/8" 3-pc Mullion



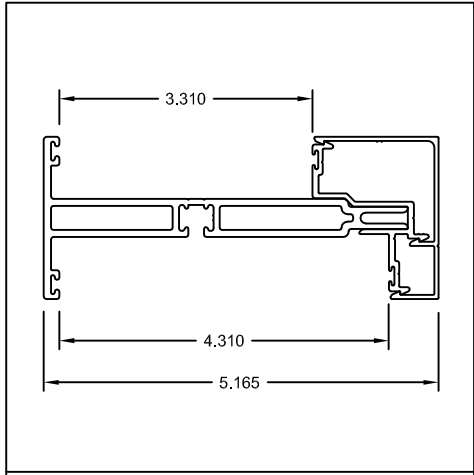
Part #: US044 / US117 / USXXX
Name: Structural Pressure Plate



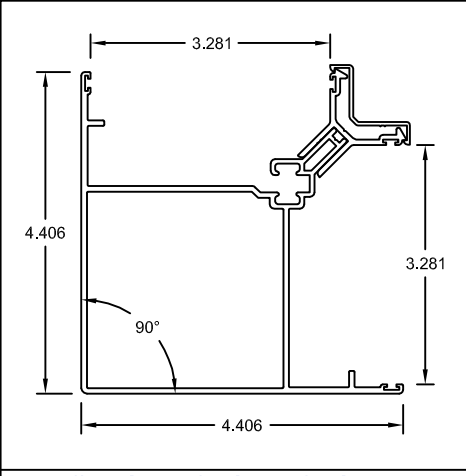
Part #: US228 / US229 / US230
Name: 2-5/8" to 3-1/4" 3pc Step Mull



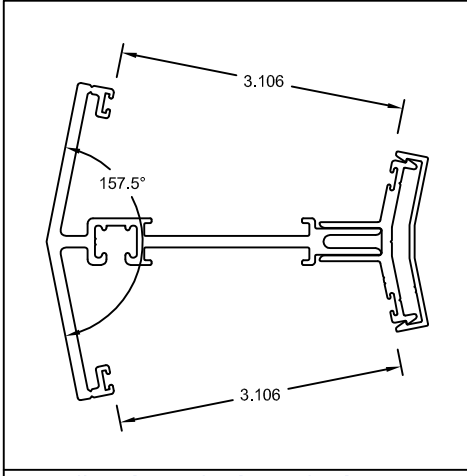
Part #: US231 / US232 / US233
Name: 2-5/8" to 4-1/2" 3pc Step Mull



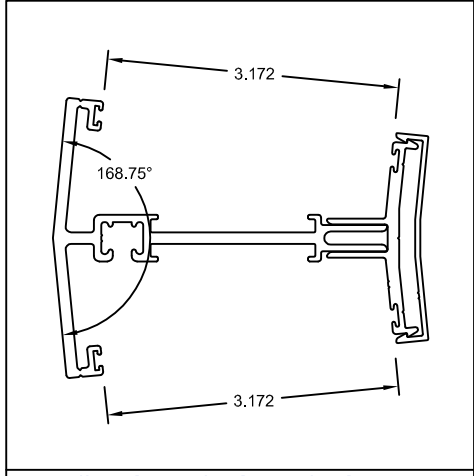
Part #: US233 / US270 / US271
Name: 3-1/4" to 4-1/4" 3pc Step Mull



Part #: US056 / US057 / US058
Name: 3-1/8" to 3-3/8" 90° Mullion



Part #: US258 / US259 / US260
Name: 3-1/8" to 3-3/8" 157.5° Mull



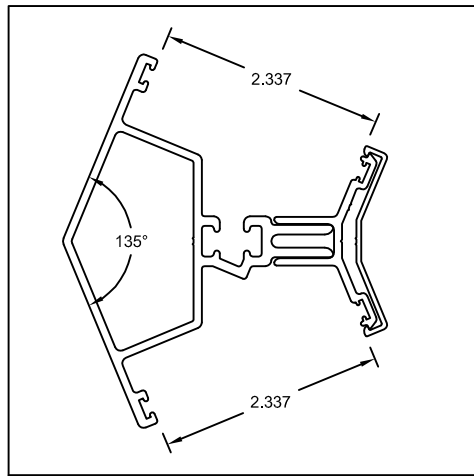
Part #: US261 / US262 / US263
Name: 3-1/8" to 3-3/8" 168.75° Mull



**704 West Park Road
Union, MO 63084**

TEL: (636) 583-7755
FAX: (636) 583-1937
WEB: www.gwextrusions.com

3-PC MULLIONS



Part #: US083 / US084 / US085
Name: 2-1/4" to 2-5/8" 135° Mullion