



# **WINDOW ACCESSORIES**

**SNAP TRIM & CLIP  
WINDOW PANNINGS  
SILL COVERS  
SILL EXPANDERS  
SCREEN FRAMES  
APPLIED MUNTIN GRIDS  
CORNER KEYS**

**2-PC RECEPTORS  
SUB-SILLS  
ANCHOR CLIPS  
1-PC MULLIONS  
2-PC MULLIONS  
3-PC MULLIONS**

- These are “OPEN DIES” for production runs only, we do NOT stock finished extrusions (NO SAMPLES AVAILABLE).
- Orders of any size will be accepted, but may be subject to a Press Setup fee if below 500 LB.
- 6063 alloy is typically extruded, but 6005 (6061 alternative) can be available upon request.
- Custom lengths, Powder Coat finishes and Anodizing are also available.
- Standard Aluminum Association tolerances apply.

**TYPICAL LEAD-TIMES BELOW:**

**Mill Finish => 3 weeks or less**

**Standard Paint => 3-4 weeks**

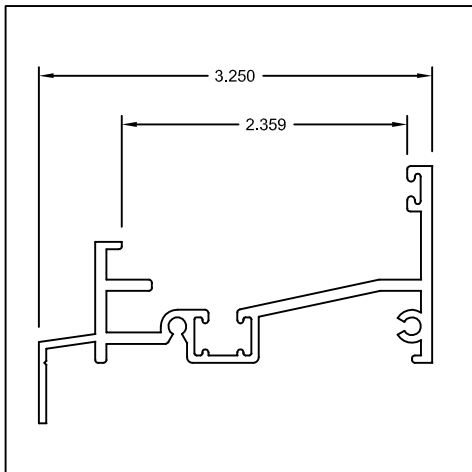
**Anodize/Custom Paint => 4-6 weeks**



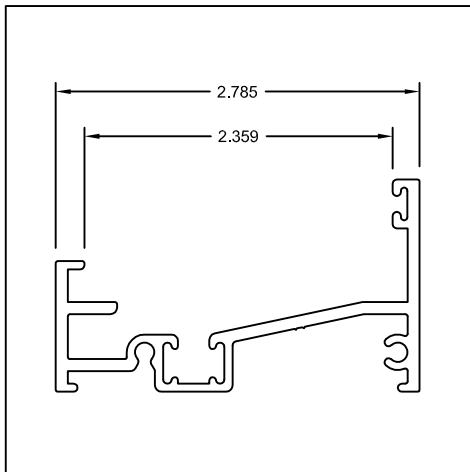
**704 West Park Road  
Union, MO 63084**

TEL: (636) 583-7755  
FAX: (636) 583-1937  
WEB: www.gwextrusions.com

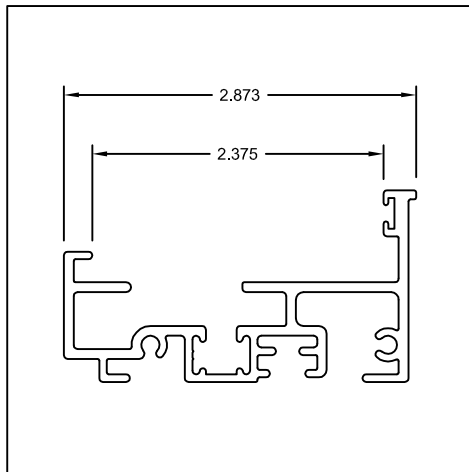
# SUB-SILLS



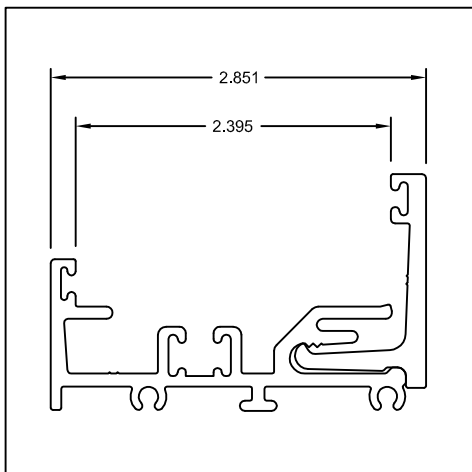
Part #: U8017  
Name: 2-1/4" (Frame) Sub-Sill



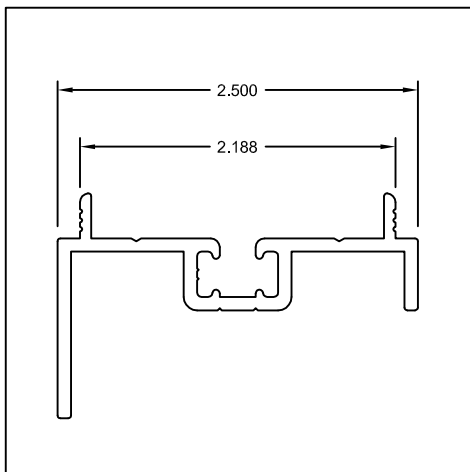
Part #: U8035  
Name: 2-1/4" (Frame) Sub-Sill



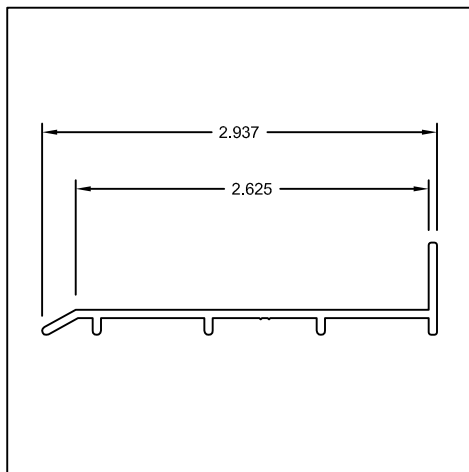
Part #: US210  
Name: 2-1/4" (Frame) Sub-Sill



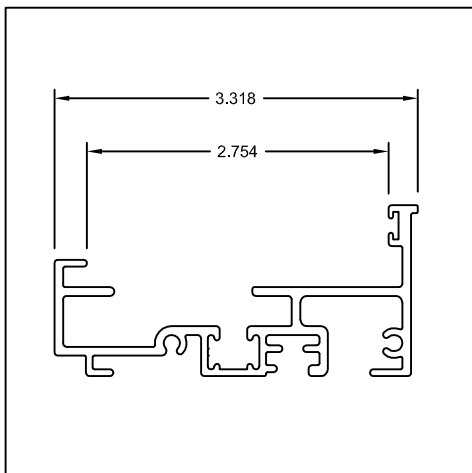
Part #: U8039 / U8041  
Name: 2-1/4" (Frame) 2-pc Sub-Sill



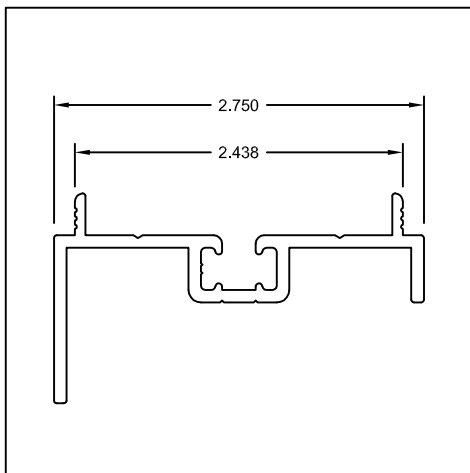
Part #: CES066  
Name: 2-1/2" (Frame) Sub-Sill



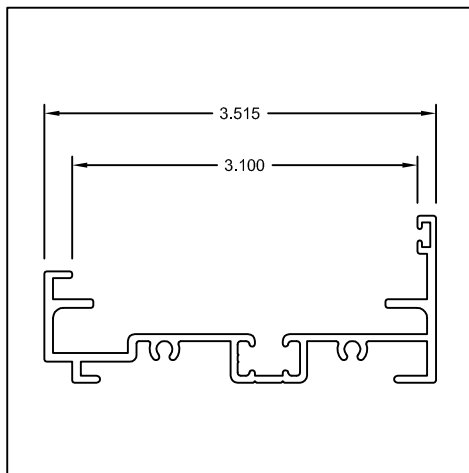
Part #: CES067  
Name: 2-1/2" (Frame) Sub-Sill



Part #: US201  
Name: 2-5/8" (Frame) Sub-Sill



Part #: CES069  
Name: 2-3/4" (Frame) Sub-Sill



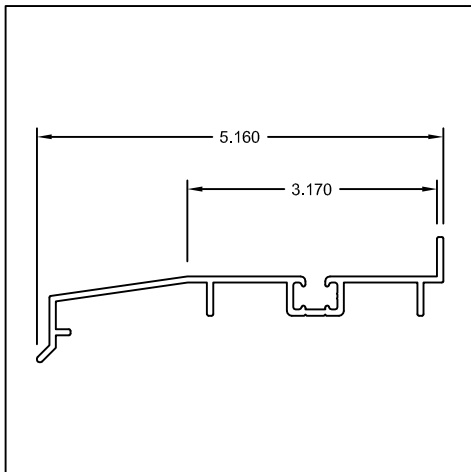
Part #: CES071  
Name: 3" (Frame) Sub-Sill



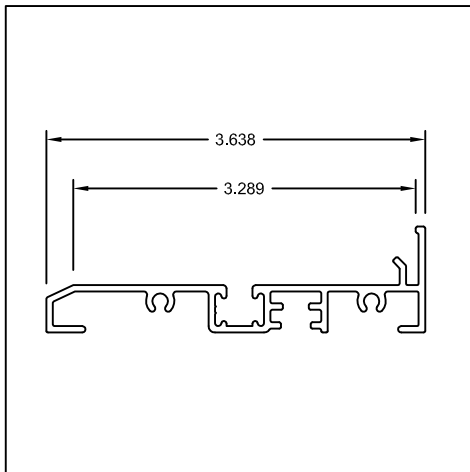
704 West Park Road  
Union, MO 63084

TEL: (636) 583-7755  
FAX: (636) 583-1937  
WEB: www.gwextrusions.com

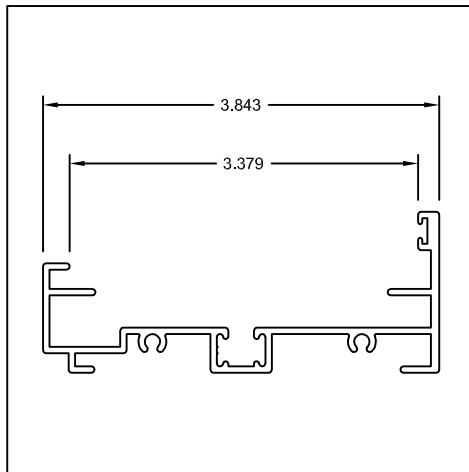
# SUB-SILLS



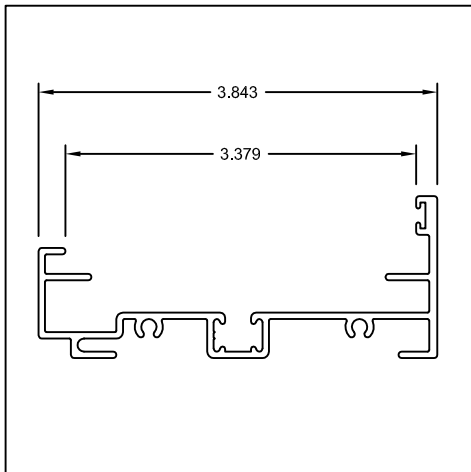
Part #: CES068  
Name: 3" (Frame) Sub-Sill



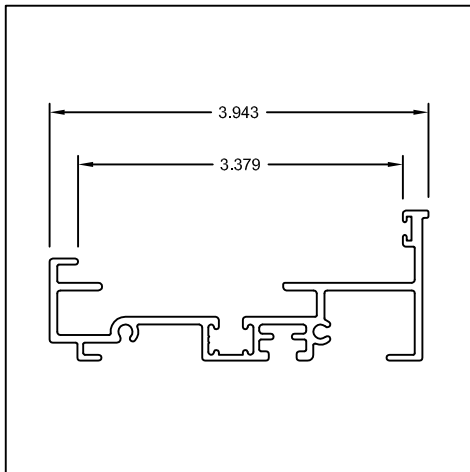
Part #: US207  
Name: 3-1/4" (Frame) Sub-Sill



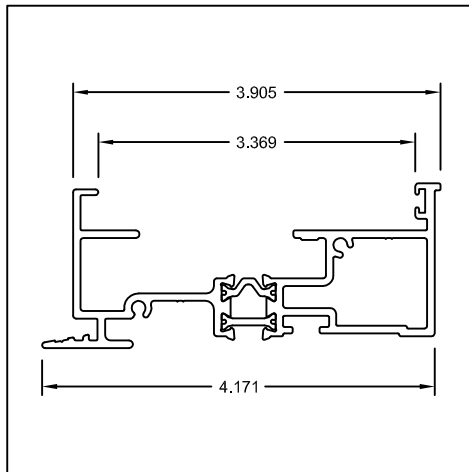
Part #: US100  
Name: 3-1/4" (Frame) Sub-Sill



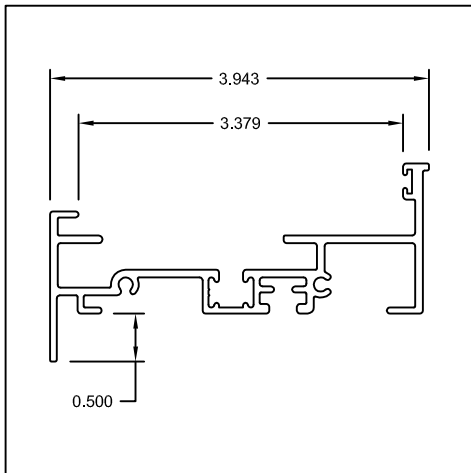
Part #: US163  
Name: 3-1/4" (Frame) Sub-Sill



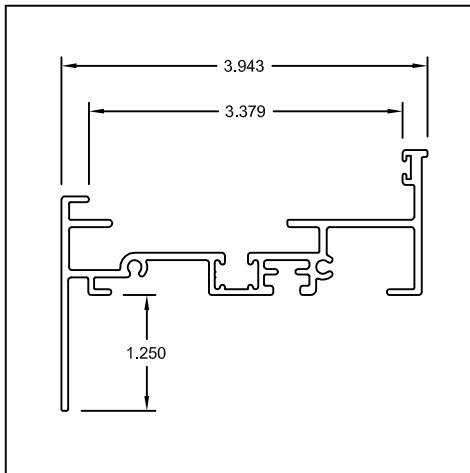
Part #: US196  
Name: 3-1/4" (Frame) Sub-Sill



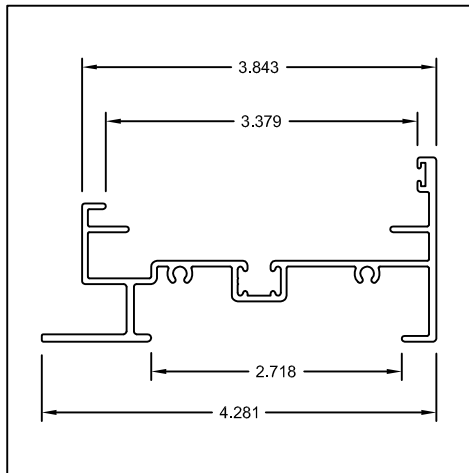
Part #: US899  
Name: 3-1/4" (Frame) Sub-Sill



Part #: US213  
Name: 3-1/4" (Frame) Sub-Sill



Part #: US197  
Name: 3-1/4" (Frame) Sub-Sill



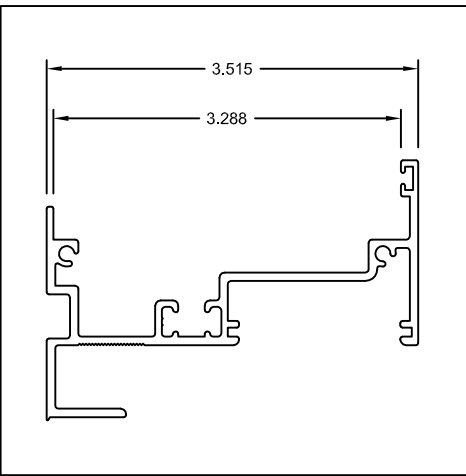
Part #: US142  
Name: 3-1/4" (Frame) Sub-Sill



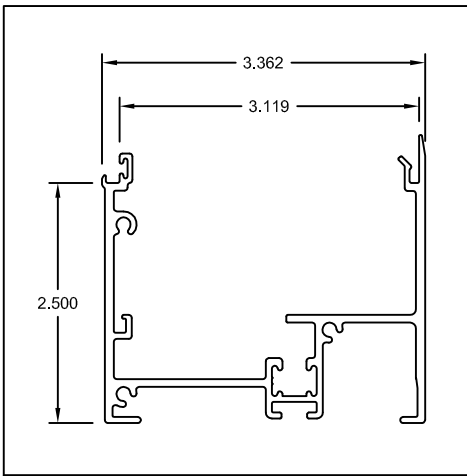
704 West Park Road  
Union, MO 63084

TEL: (636) 583-7755  
FAX: (636) 583-1937  
WEB: www.gwextrusions.com

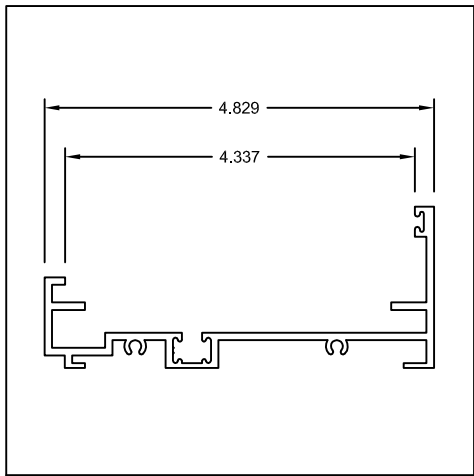
# SUB-SILLS



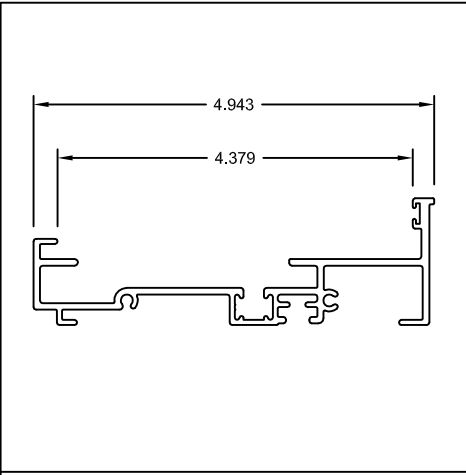
Part #: CES070  
Name: 3-1/4" (Frame) Sub-Sill



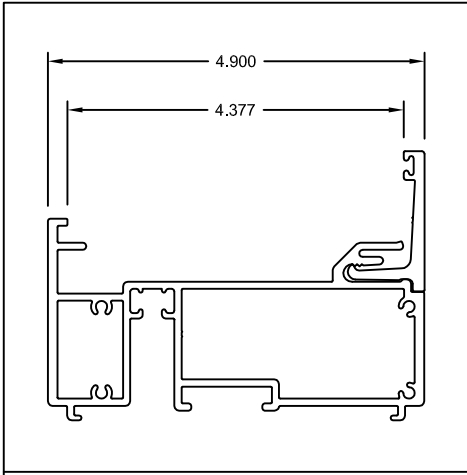
Part #: US276  
Name: 3-1/4" (Frame) Sub-Sill



Part #: US064  
Name: 4-1/4" (Frame) Sub-Sill



Part #: US217  
Name: 4-1/4" (Frame) Sub-Sill



Part #: US148 / US150  
Name: 4-1/4" (Frame) 2-pc Sub-Sill