



# **WINDOW ACCESSORIES**

**SNAP TRIM & CLIP  
WINDOW PANNINGS  
SILL COVERS  
SILL EXPANDERS  
SCREEN FRAMES  
APPLIED MUNTIN GRIDS  
CORNER KEYS**

**2-PC RECEPTORS  
SUB-SILLS  
ANCHOR CLIPS  
1-PC MULLIONS  
2-PC MULLIONS  
3-PC MULLIONS**

- These are “OPEN DIES” for production runs only, we do NOT stock finished extrusions (NO SAMPLES AVAILABLE).
- Orders of any size will be accepted, but may be subject to a Press Setup fee if below 500 LB.
- 6063 alloy is typically extruded, but 6005 (6061 alternative) can be available upon request.
- Custom lengths, Powder Coat finishes and Anodizing are also available.
- Standard Aluminum Association tolerances apply.

**TYPICAL LEAD-TIMES BELOW:**

**Mill Finish => 3 weeks or less**

**Standard Paint => 3-4 weeks**

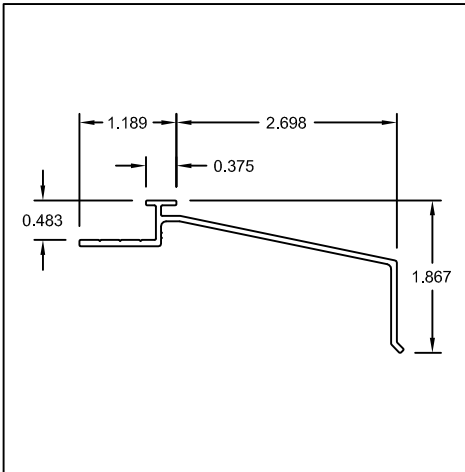
**Anodize/Custom Paint => 4-6 weeks**



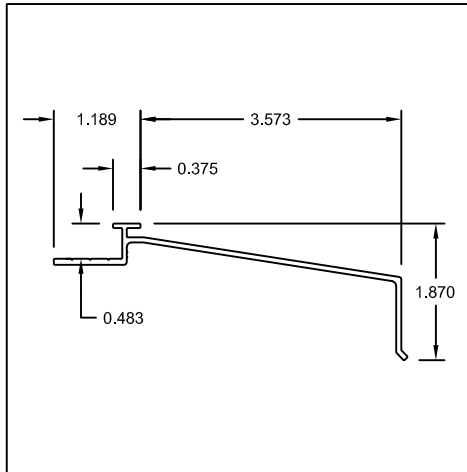
704 West Park Road  
Union, MO 63084

TEL: (636) 583-7755  
FAX: (636) 583-1937  
WEB: www.gwextrusions.com

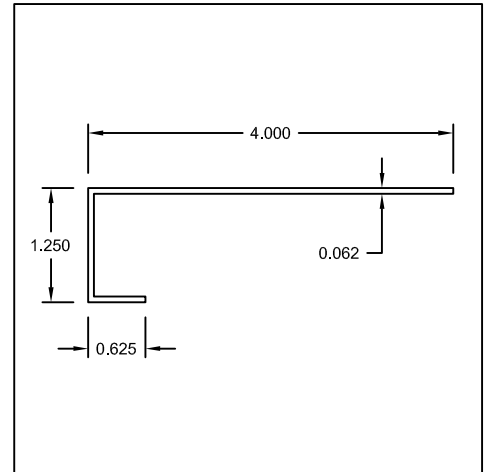
# SILL COVERS



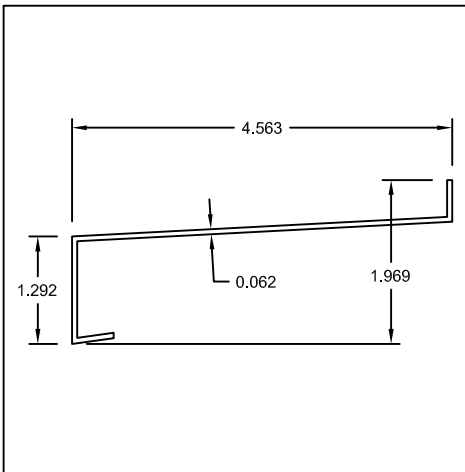
Part #: US227  
Name: 2-5/8" Sill Cover



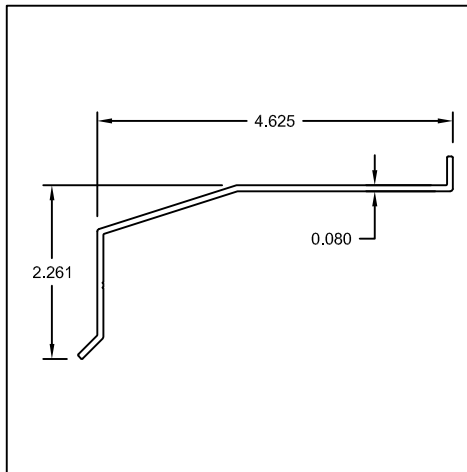
Part #: US220  
Name: 3-1/2" Sill Cover



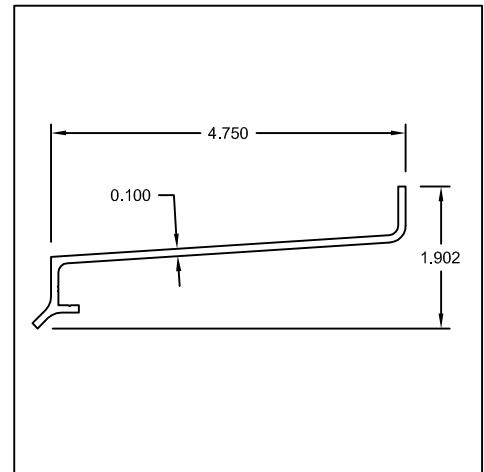
Part #: US047  
Name: 4" Sill Cover



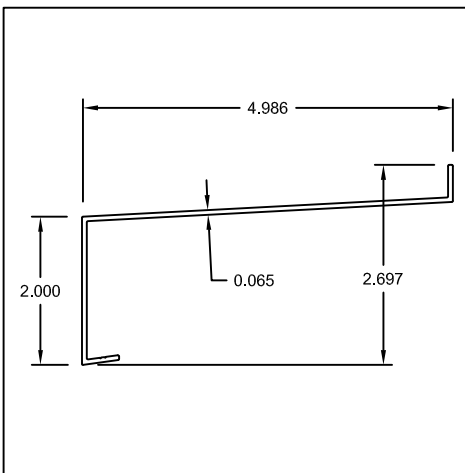
Part #: US076  
Name: 4-1/2" Sill Cover



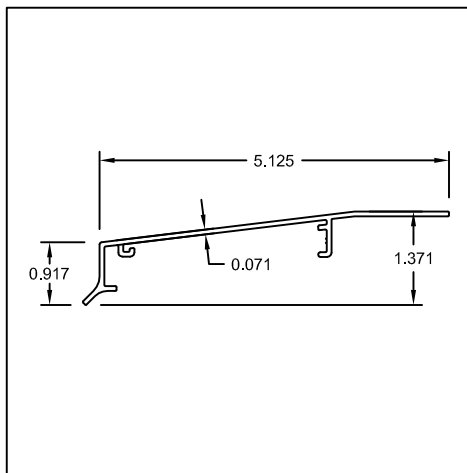
Part #: US288  
Name: 4-5/8" Sill Cover



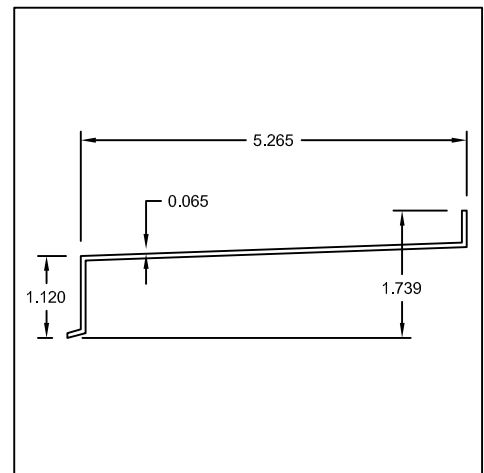
Part #: US052  
Name: 4-3/4" Sill Cover



Part #: US097  
Name: 5" Sill Cover



Part #: US175  
Name: 5-1/8" Sill Cover



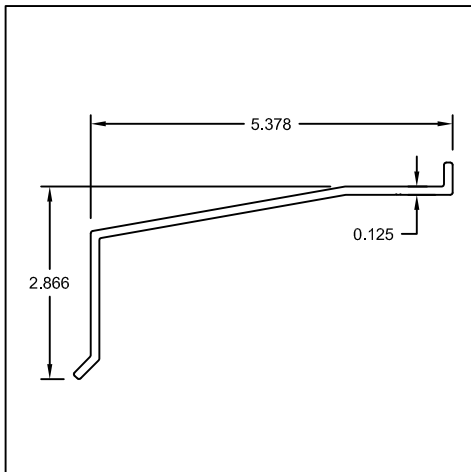
Part #: US079  
Name: 5-1/4" Sill Cover



**704 West Park Road  
Union, MO 63084**

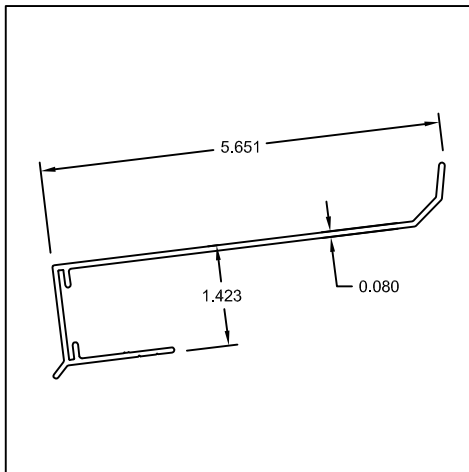
TEL: (636) 583-7755  
FAX: (636) 583-1937  
WEB: [www.gwextrusions.com](http://www.gwextrusions.com)

# SILL COVERS



Part #: US279

Name: 5-3/8" Sill Cover



Part #: US290

Name: 5-5/8" Sill Cover