



# **WINDOW ACCESSORIES**

**SNAP TRIM & CLIP  
WINDOW PANNINGS  
SILL COVERS  
SILL EXPANDERS  
SCREEN FRAMES  
APPLIED MUNTIN GRIDS  
CORNER KEYS**

**2-PC RECEPTORS  
SUB-SILLS  
ANCHOR CLIPS  
1-PC MULLIONS  
2-PC MULLIONS  
3-PC MULLIONS**

- These are “OPEN DIES” for production runs only, we do NOT stock finished extrusions (NO SAMPLES AVAILABLE).
- Orders of any size will be accepted, but may be subject to a Press Setup fee if below 500 LB.
- 6063 alloy is typically extruded, but 6005 (6061 alternative) can be available upon request.
- Custom lengths, Powder Coat finishes and Anodizing are also available.
- Standard Aluminum Association tolerances apply.

**TYPICAL LEAD-TIMES BELOW:**

**Mill Finish => 3 weeks or less**

**Standard Paint => 3-4 weeks**

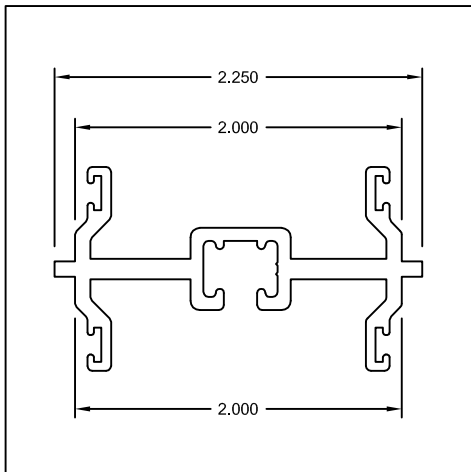
**Anodize/Custom Paint => 4-6 weeks**



704 West Park Road  
Union, MO 63084

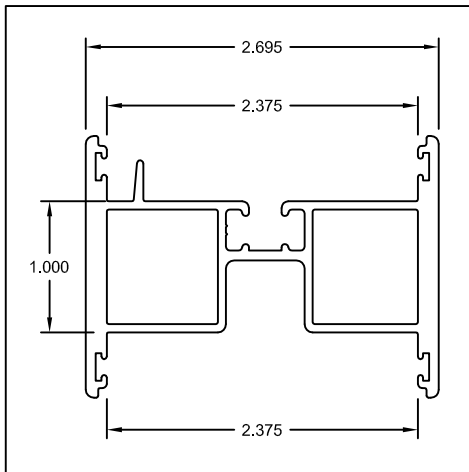
TEL: (636) 583-7755  
FAX: (636) 583-1937  
WEB: www.gwextrusions.com

# 1-PC MULLIONS



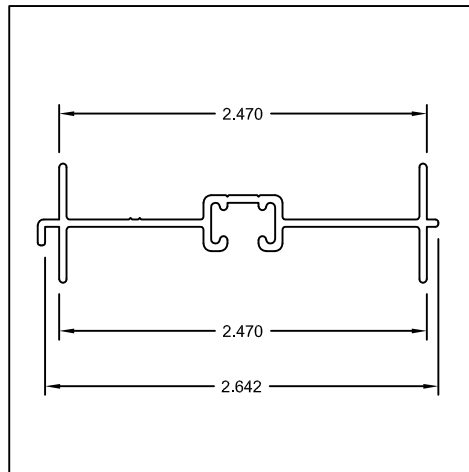
Part #: U8007

Name: 2-1/4" (Frame) Bulb Mullion



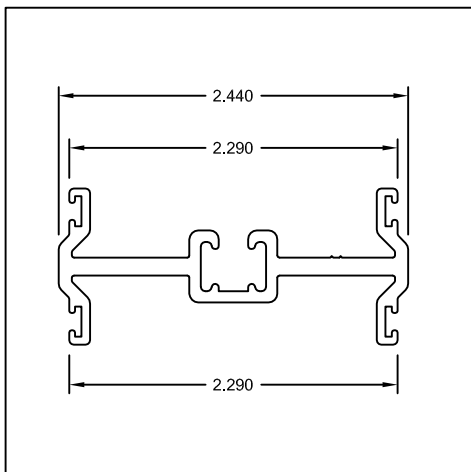
Part #: U8044

Name: 2-1/4" (Frame) Bulb Mullion



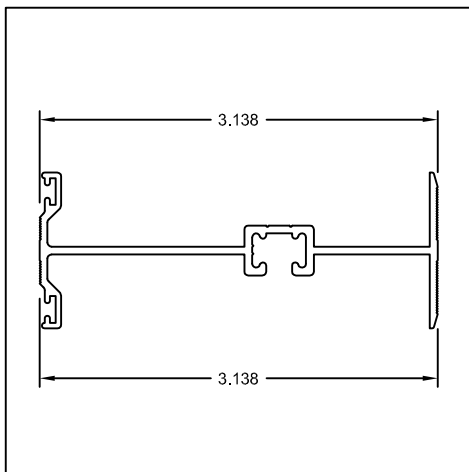
Part #: CES041

Name: 2-5/8" (Frame) Mullion



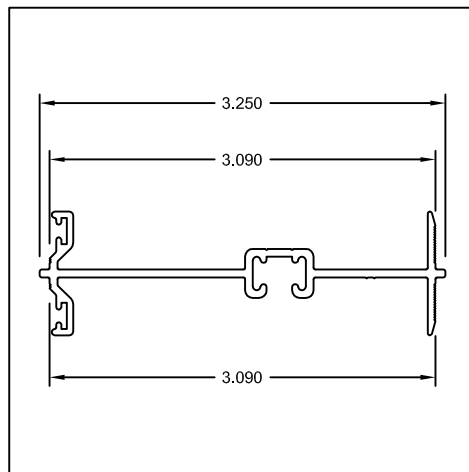
Part #: U8813

Name: 2-5/8" (Frame) Bulb Mullion



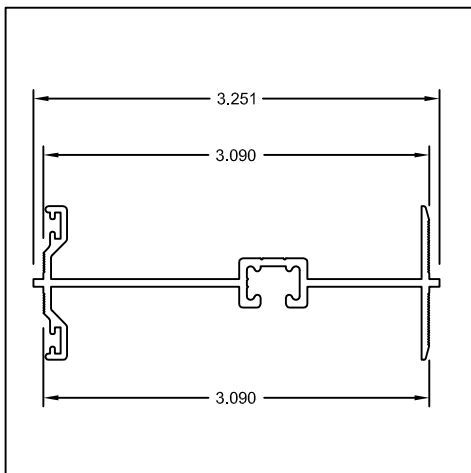
Part #: U2108

Name: 3-1/4" (Frame) Bulb Mullion



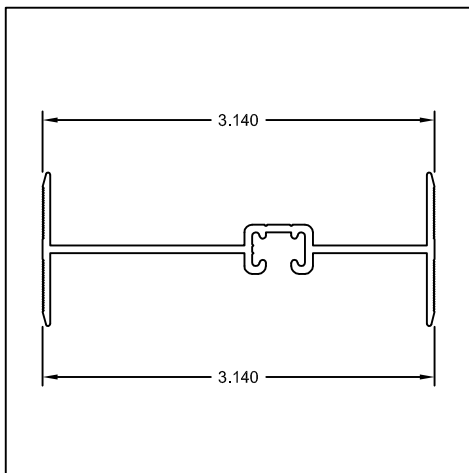
Part #: U5632

Name: 3-1/4" (Frame) Bulb Mullion



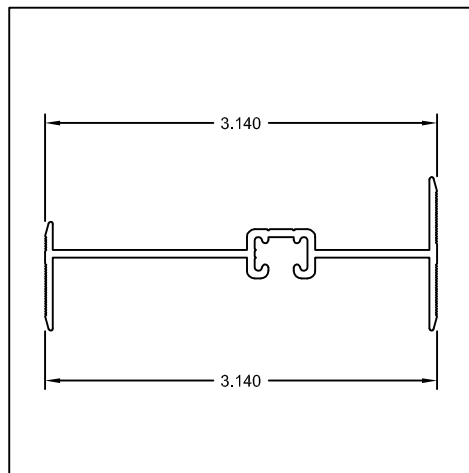
Part #: U5619

Name: 3-1/4" (Frame) Bulb Mullion



Part #: U2117

Name: 3-1/4" (Frame) Mullion



Part #: U2123

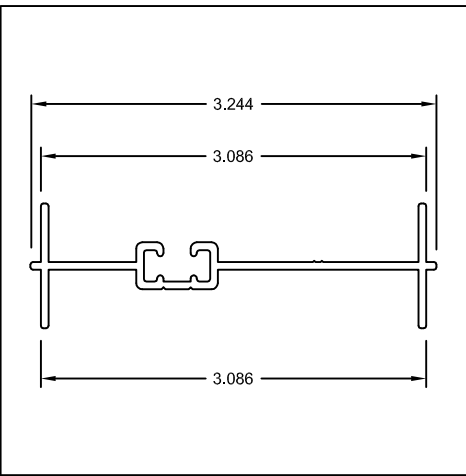
Name: 3-1/4" (Frame) Offset Mullion



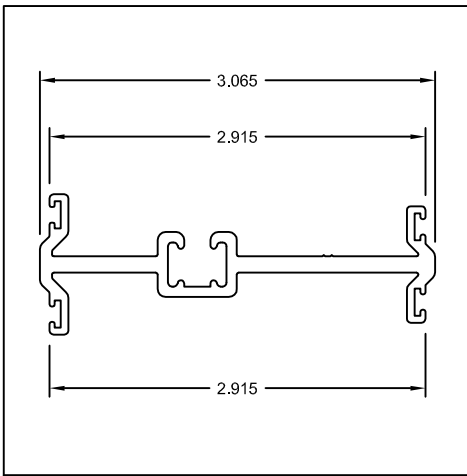
704 West Park Road  
Union, MO 63084

TEL: (636) 583-7755  
FAX: (636) 583-1937  
WEB: www.gwextrusions.com

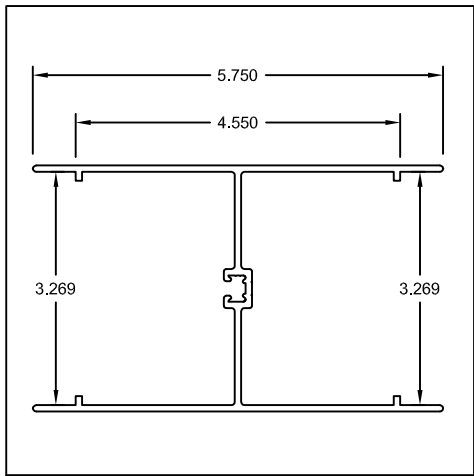
# 1-PC MULLIONS



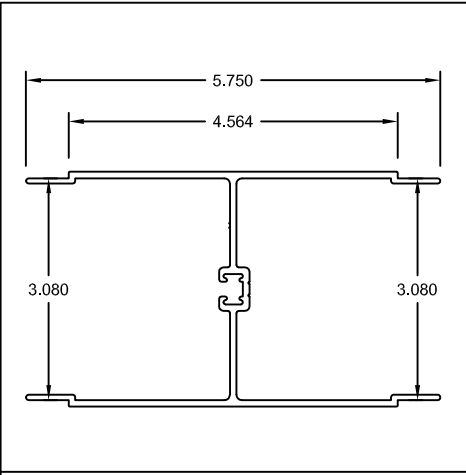
Part #: CES042  
Name: 3-1/4" (Frame) Mullion



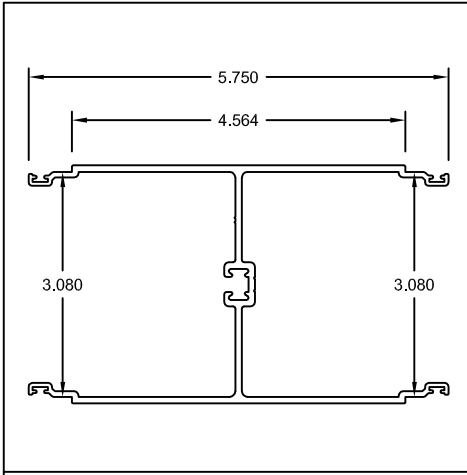
Part #: U9012  
Name: 3-1/4" (Frame) Bulb Mullion



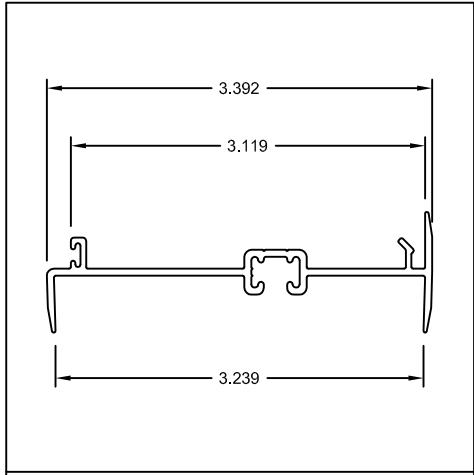
Part #: U5503  
Name: 3-1/4"(Frame) Expanded Mull



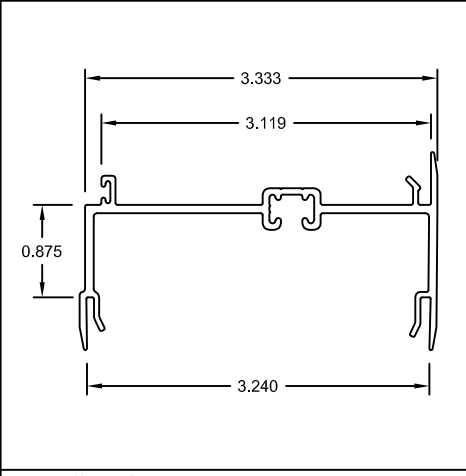
Part #: U5523  
Name: 3-1/4"(Frame) Expanded Mull



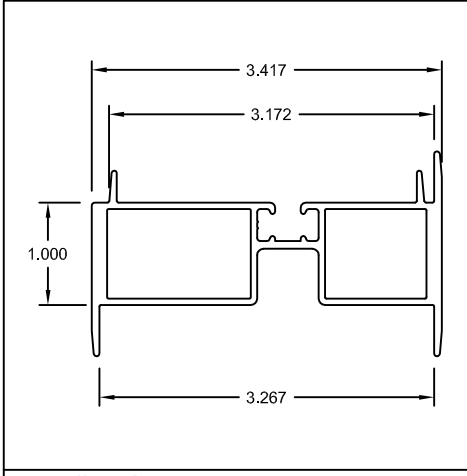
Part #: U5524  
Name: 3-1/4"(Frame) Expanded Mull



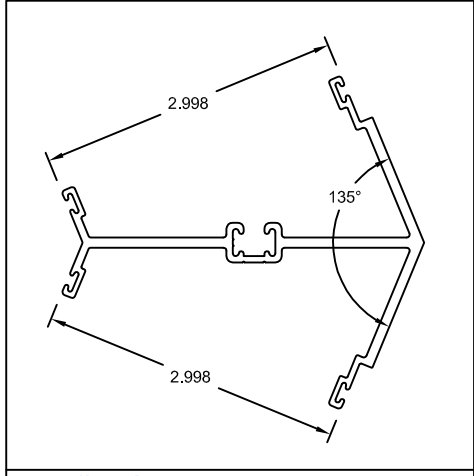
Part #: US209  
Name: 3-1/4" (Frame) Stack Mullion



Part #: US268  
Name: 3-1/4" (Frame) Stack Mullion



Part #: US104  
Name: 3-1/4" (Frame) Stack Mullion



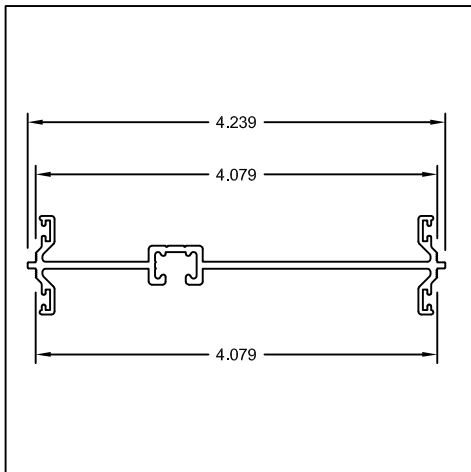
Part #: US214  
Name: 3-1/4" (Frame) 135° Mullion



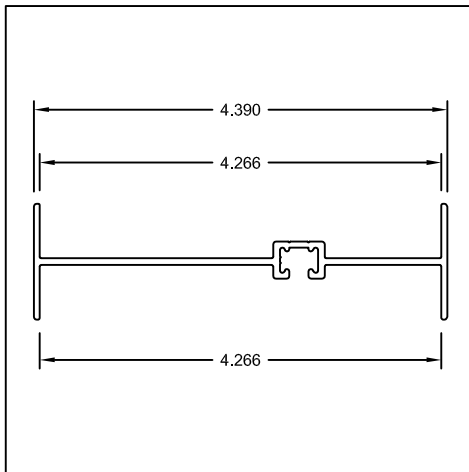
704 West Park Road  
Union, MO 63084

TEL: (636) 583-7755  
FAX: (636) 583-1937  
WEB: www.gwextrusions.com

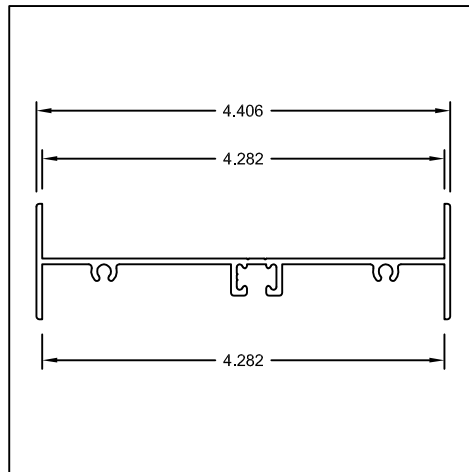
# 1-PC MULLIONS



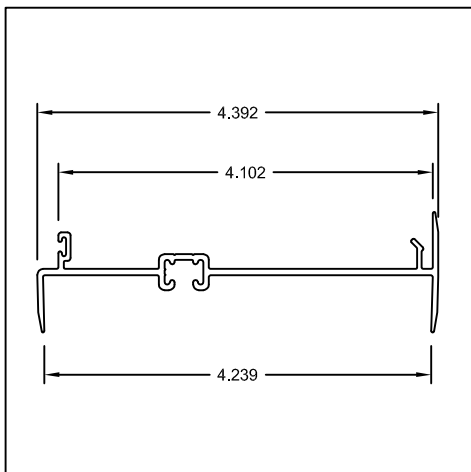
Part #: U6220  
Name: 4-1/4" (Frame) Bulb Mullion



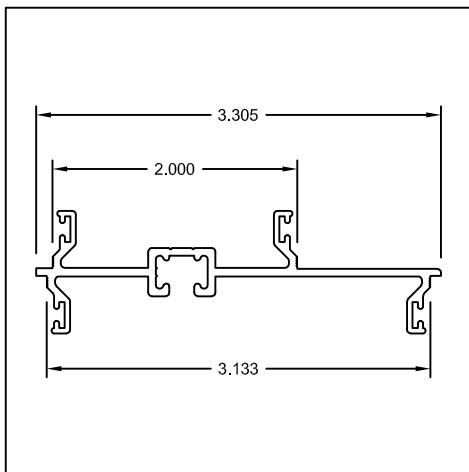
Part #: U6036  
Name: 4-1/4" (Frame) Ext. Mullion



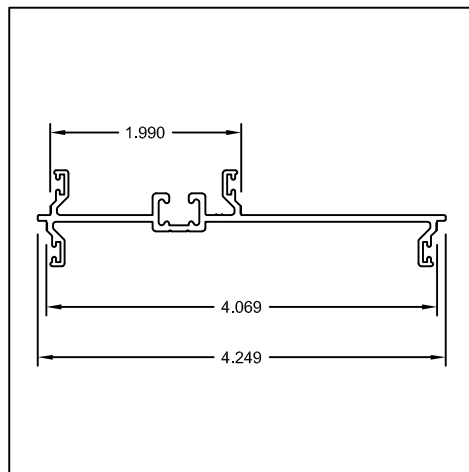
Part #: U6019  
Name: 4-1/4" (Frame) Ext. Mullion



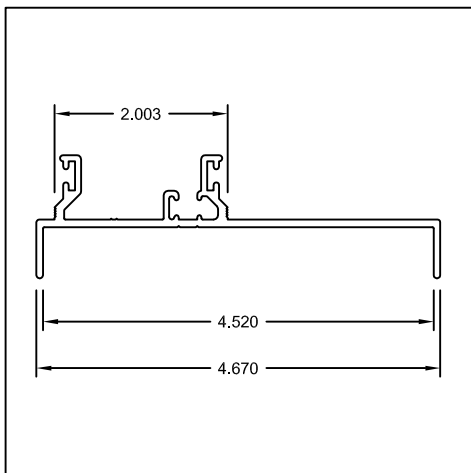
Part #: US219  
Name: 4-1/4" (Frame) Stack Mullion



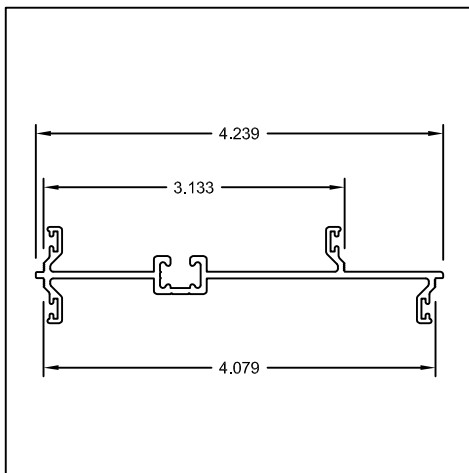
Part #: U8016  
Name: 2-1/4" - 3-1/4" Step Mullion



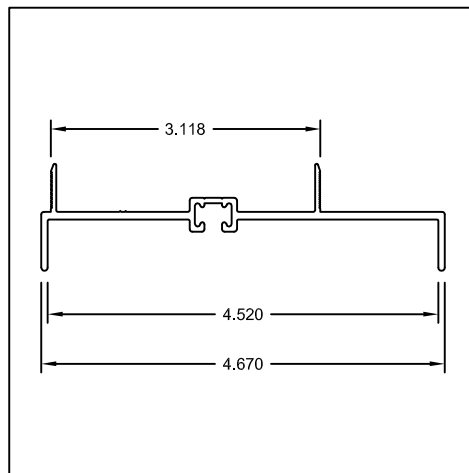
Part #: US110  
Name: 2-1/4" - 4-1/4" Step Mullion



Part #: US116  
Name: 2-1/4" - 4-1/2" Step Mullion



Part #: U6221  
Name: 3-1/4" - 4-1/4" Step Mullion



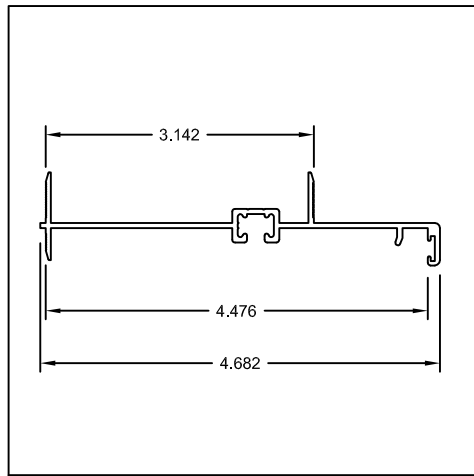
Part #: US115  
Name: 3-1/4" - 4-1/2" Step Mullion



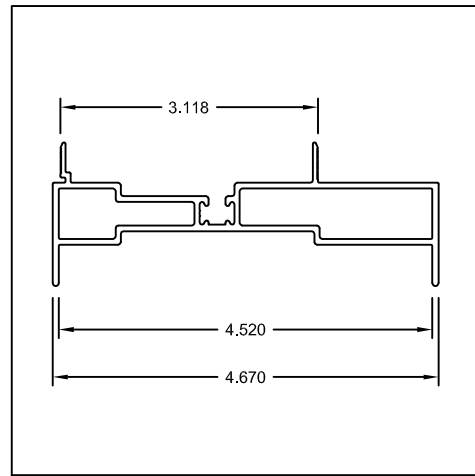
704 West Park Road  
Union, MO 63084

TEL: (636) 583-7755  
FAX: (636) 583-1937  
WEB: www.gwextrusions.com

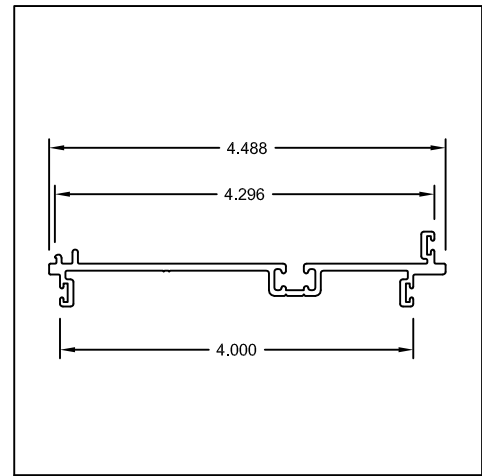
# 1-PC MULLIONS



Part #: U1220  
Name: 3-1/4" - 4-1/2" Step Mullion



Part #: US289  
Name: 3-1/4" - 4-1/2" Step Mullion



Part #: US200  
Name: 4-1/4" - 4-1/2" Step Mullion