



WINDOW ACCESSORIES

**SNAP TRIM & CLIP
WINDOW PANNINGS
SILL COVERS
SILL EXPANDERS
SCREEN FRAMES
APPLIED MUNTIN GRIDS
CORNER KEYS**

**2-PC RECEPTORS
SUB-SILLS
ANCHOR CLIPS
1-PC MULLIONS
2-PC MULLIONS
3-PC MULLIONS**

- These are “OPEN DIES” for production runs only, we do NOT stock finished extrusions (NO SAMPLES AVAILABLE).
- Orders of any size will be accepted, but may be subject to a Press Setup fee if below 500 LB.
- 6063 alloy is typically extruded, but 6005 (6061 alternative) can be available upon request.
- Custom lengths, Powder Coat finishes and Anodizing are also available.
- Standard Aluminum Association tolerances apply.

TYPICAL LEAD-TIMES BELOW:

Mill Finish => 3 weeks or less

Standard Paint => 3-4 weeks

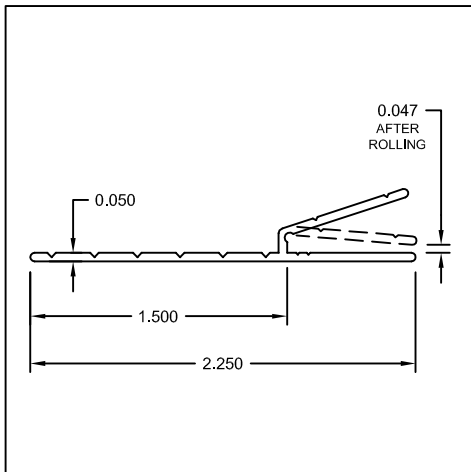
Anodize/Custom Paint => 4-6 weeks



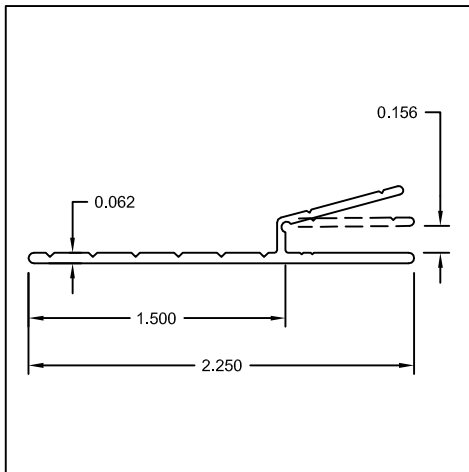
**704 West Park Road
Union, MO 63084**

TEL: (636) 583-7755
FAX: (636) 583-1937
WEB: www.gwextrusions.com

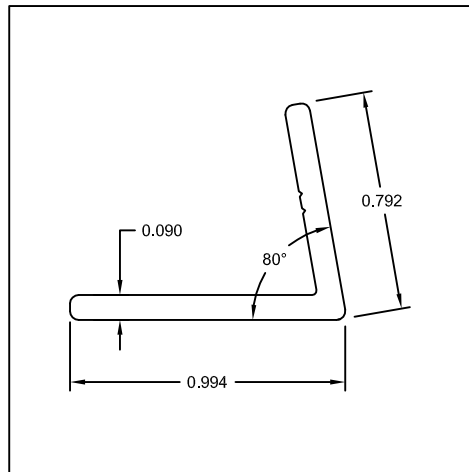
EXPANDERS



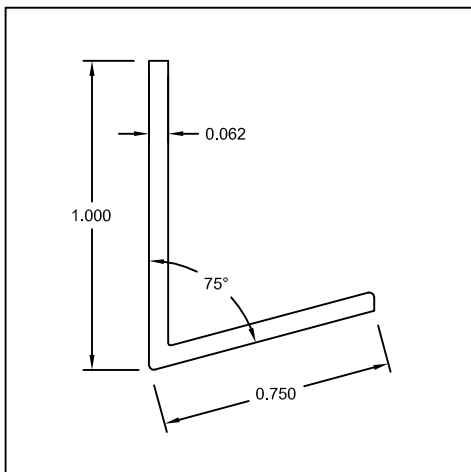
Part #: U2207
Name: 1-1/2" Sill Expander



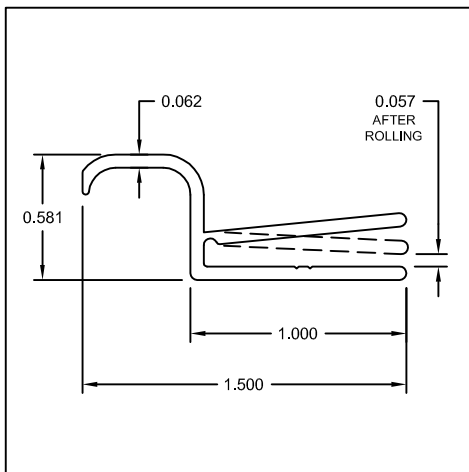
Part #: US192
Name: 1-1/2" Sill Expander



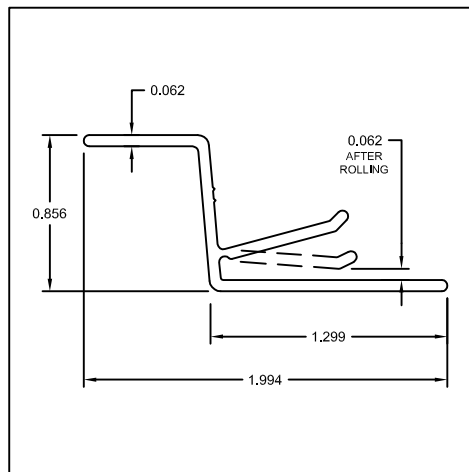
Part #: U8019
Name: 1" x 3/4" Sill Angle



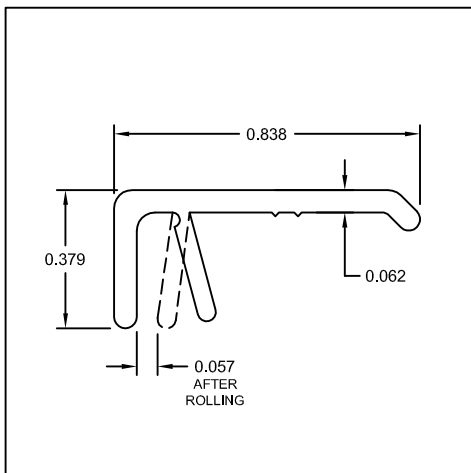
Part #: US063
Name: 1" x 3/4" Sill Angle



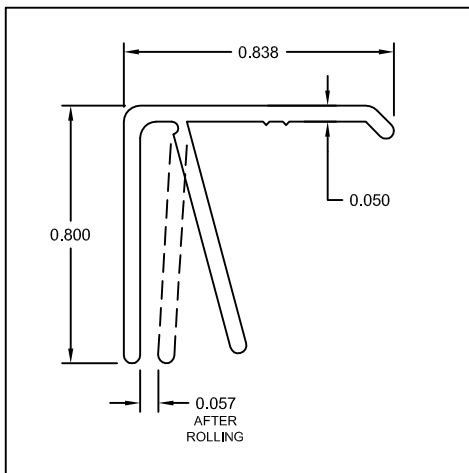
Part #: US035
Name: 1/2" x 1/2" Caulk Expander



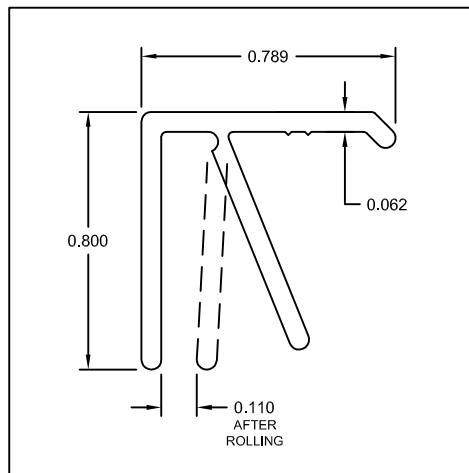
Part #: US182
Name: 5/8" x 7/8" Caulk Expander



Part #: US237
Name: 3/8" Caulk Expander



Part #: US075
Name: 3/4" Caulk Expander



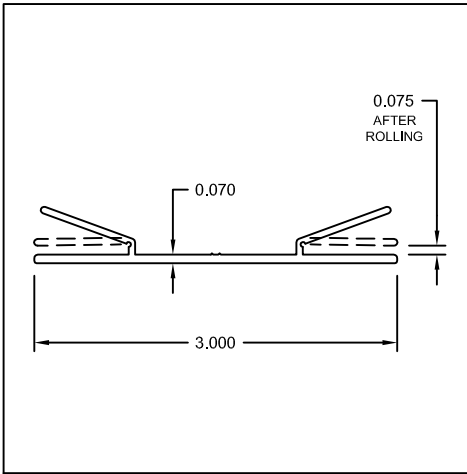
Part #: US184
Name: 3/4" Caulk Expander



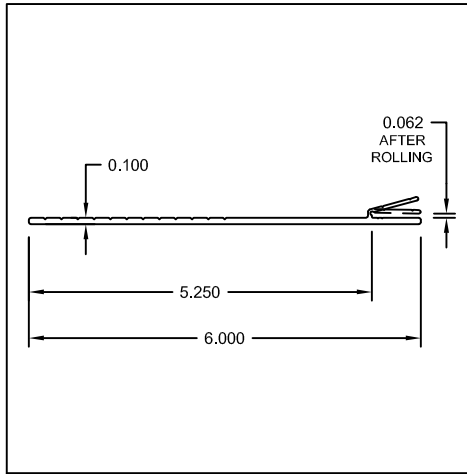
704 West Park Road
Union, MO 63084

TEL: (636) 583-7755
FAX: (636) 583-1937
WEB: www.gwextrusions.com

EXPANDERS



Part #: CES063
Name: 2-7/32" Dual Sill Expander



Part #: US208
Name: 5-1/4" Sill Expander