



# **WINDOW ACCESSORIES**

**SNAP TRIM & CLIP  
WINDOW PANNINGS  
SILL COVERS  
SILL EXPANDERS  
SCREEN FRAMES  
APPLIED MUNTIN GRIDS  
CORNER KEYS**

**2-PC RECEPTORS  
SUB-SILLS  
ANCHOR CLIPS  
1-PC MULLIONS  
2-PC MULLIONS  
3-PC MULLIONS**

- These are “OPEN DIES” for production runs only, we do NOT stock finished extrusions (NO SAMPLES AVAILABLE).
- Orders of any size will be accepted, but may be subject to a Press Setup fee if below 500 LB.
- 6063 alloy is typically extruded, but 6005 (6061 alternative) can be available upon request.
- Custom lengths, Powder Coat finishes and Anodizing are also available.
- Standard Aluminum Association tolerances apply.

**TYPICAL LEAD-TIMES BELOW:**

**Mill Finish => 3 weeks or less**

**Standard Paint => 3-4 weeks**

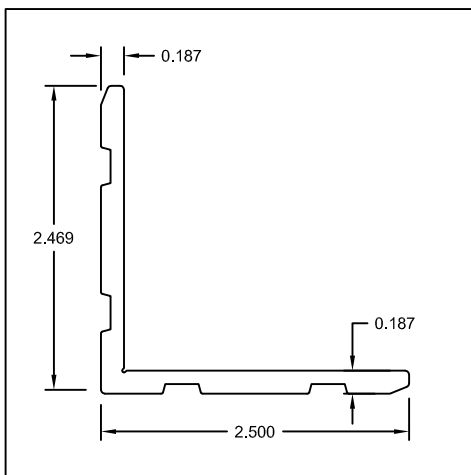
**Anodize/Custom Paint => 4-6 weeks**



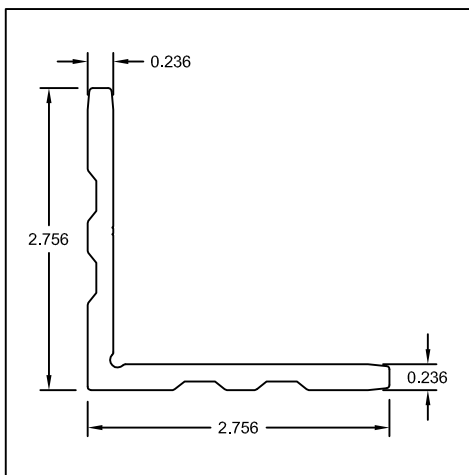
704 West Park Road  
Union, MO 63084

TEL: (636) 583-7755  
FAX: (636) 583-1937  
WEB: www.gwextrusions.com

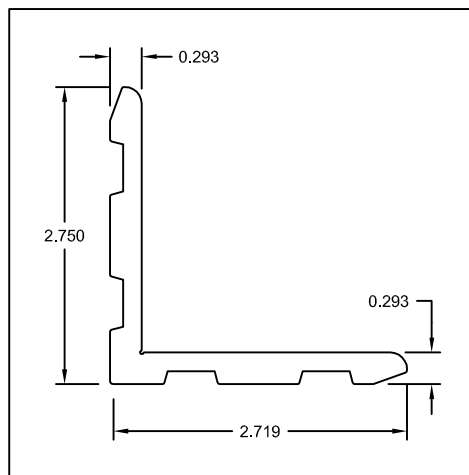
# CORNER KEYS



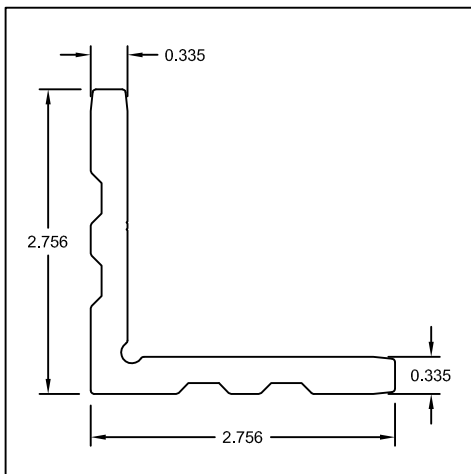
Part #: CES064  
Name: 13/64" Corner Key



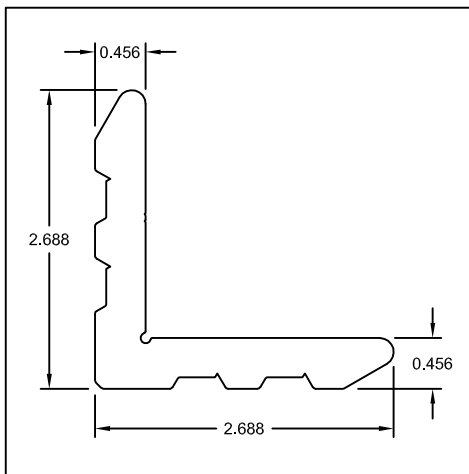
Part #: UC024  
Name: 1/4" Corner Key



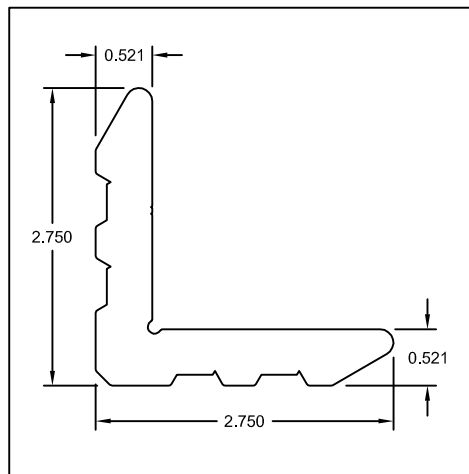
Part #: CES065  
Name: 5/16" Corner Key



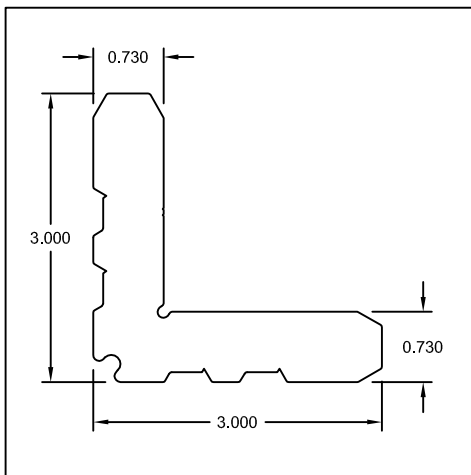
Part #: UC002  
Name: 11/32" Corner Key



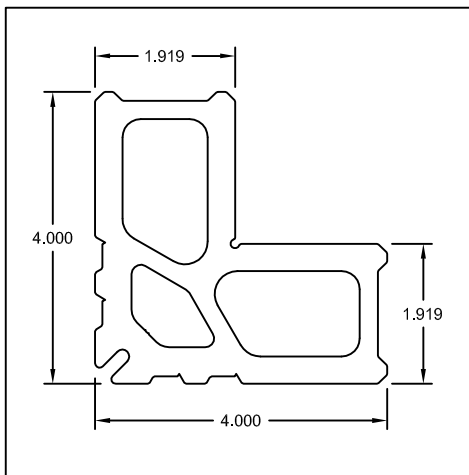
Part #: U8801  
Name: 1/2" Corner Key



Part #: U8029  
Name: 17/32" Corner Key



Part #: U1419  
Name: 3/4" Corner Key



Part #: U1424  
Name: 1-15/16" Corner Key